

# Rosemount 3300 Series

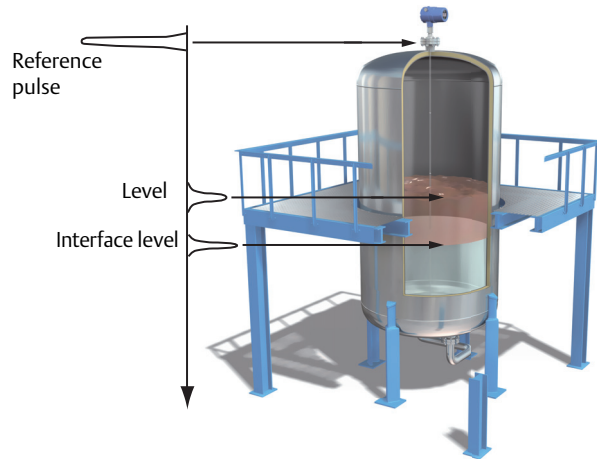
## Guided Wave Radar Level and Interface Transmitter



- Accurate, direct level measurement virtually unaffected by process conditions
- Minimized maintenance with no moving parts and no re-calibration required
- Fewer process penetrations and reduced installation costs with a MultiVariable™ level and interface transmitter
- Easy installation and commissioning through two-wire technology and user-friendly configuration
- Versatile and easy-to-use transmitter with field proven reliability
- High application flexibility with a wide range of process connections, probe styles, and accessories

# Proven, reliable, and easy to use guided wave radar

## Measurement principle



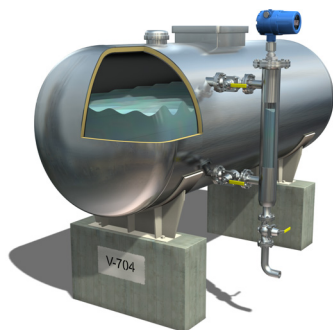
Low power, nano-second microwave pulses are guided down a probe submerged in the process media. When a microwave pulse reaches a media with a different dielectric constant, part of the energy is reflected back to the transmitter.

The transmitter uses the residual wave of the first reflection for measuring the interface level. Part of the wave, which was not reflected at the upper product surface, continues until it is reflected at the lower product surface. The speed of this wave depends fully on the dielectric constant of the upper product.

The time difference between the transmitted and the reflected pulse is converted into a distance, and the total level or interface level is then calculated. The reflection intensity depends on the dielectric constant of the product. The higher the dielectric constant value, the stronger the reflection.

## Guided wave radar technology benefits

- No moving parts and no re-calibration minimizes maintenance
- Direct level measurement means no compensation needed for changing process conditions (i.e. density, conductivity, temperature, and pressure)
- Handles vapor and turbulence well
- Suitable for small tanks, difficult tank geometry, and interfering obstacles
- Allows for easy upgrade
- Top down installation minimizes risk for leakages



## Contents

Ordering Information .....	5	Product Certifications .....	31
Specifications .....	14	Dimensional Drawings .....	34

## Special 3300 features

### Proven high reliability increases uptime

- First 2-wire level and interface transmitter with field proven reliability
- More than 90,000 units installed
- Advanced signal processing for reliable measurement
- Accurate level unaffected by changing process conditions

### High application flexibility

- Suitable for most liquid storage and monitoring level and interface applications
- A wide selection of process connections and probe styles
- Remote mounting, mounting bracket, Smart Wireless THUM™ Adapter, HART® Tri-Loop™, and probe centering discs accessories
- External mounting using Rosemount 9901 high quality chambers accessories

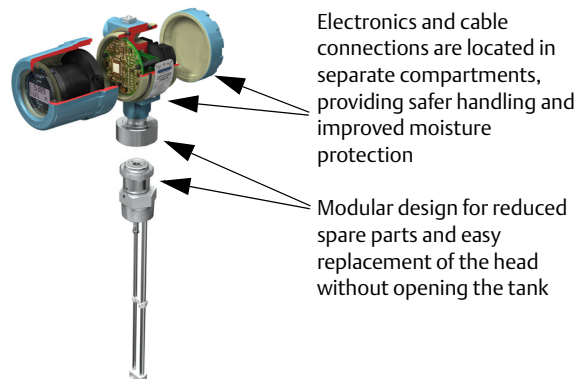
### Robust design reduces costs and increases safety

- Leakage prevention and reliable performance under challenging conditions
- Detachable transmitter head allows tank to remain sealed
- Dual Compartment housing separates cable connections and electronics

### Easy installation and plant integration

- Seamless system integration with HART, Modbus®, or IEC 62591 (WirelessHART®) with the THUM adapter
- Allows for easy swap by matching existing tank connections
- Cut-to-fit probes
- Long lengths of rigid probes for robust measurements becomes cost-effective and practical to ship, store and install with the segmented probe option (code 4S)
- Pre-configured or user-friendly configuration with wizard, autoconnect, dielectric calculator, and on-line help
- MultiVariable – measures simultaneously level and interface, resulting in fewer process penetrations and reduces installation and wiring cost

High application flexibility



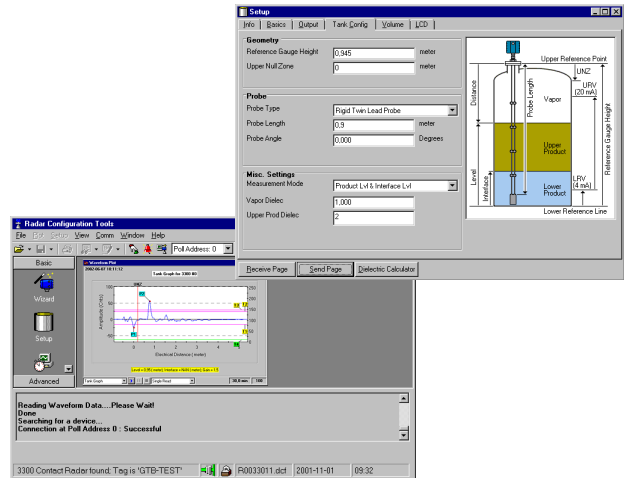
Smart Wireless THUM Adapter enables access to online configuration, multi-variable data, and diagnostics

**Minimized maintenance reduces cost**

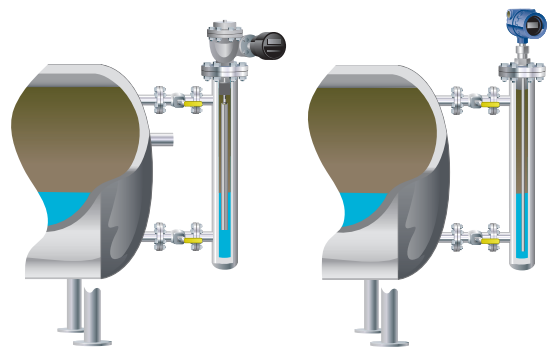
- No mechanical moving parts that require maintenance
- User-friendly software provides easy on-line troubleshooting with echo curve tool and logging
- Adjustments without opening tank
- No re-calibration or compensation needed due to changing process conditions

**Easy replacement of old technology and best fit for chambers**

- Less need for maintenance reduces costs and improves measurement availability
- Reliable measurement, independent of density, turbulence, and vibrations
- Unaffected by the mechanical configuration of the chamber
- Wide range of options to find the best fit in existing chamber or a complete assembly with Rosemount 9901 high quality chambers



Radar Configuration Tool with installation wizard and waveform plot possibilities provides easy configuration and service



From this... → to this... in minutes

# Rosemount 3301 and 3302 Level and/or Interface in Liquids Ordering Information



Rosemount 3301 and 3302 Guided Wave Radar Level transmitters are versatile and easy-to-use with field proven measurement capabilities. Characteristics include:

- High application flexibility with a wide range of probe styles, process connections, and materials
- HART 4-20 mA, Modbus, or IEC 62591 (*WirelessHART*) with the THUM adapter
- Radar Configuration Tool software package included for easy commissioning and troubleshooting

**Additional Information**

Specifications: [page 14](#)  
 Certifications: [page 31](#)  
 Dimensional Drawings: [page 34](#)

Specification and selection of product materials, options, or components must be made by the purchaser of the equipment. See [page 24](#) for more information on Material Selection.

**Table 1. 3301 and 3302 Level and/or Interface in Liquids Ordering Information**

The starred options (★) represent the most common options and should be selected for best delivery. The non-starred offerings are subject to additional delivery lead time.

Model	Product description	
3301	Guided Wave Radar Level Transmitter (interface available for fully submerged probe)	★
3302	Guided Wave Radar Level and Interface Transmitter	★
<b>Signal output</b>		
H	4-20 mA with HART communication	★
M	RS-485 with Modbus communication <sup>(1)</sup>	★
<b>Housing material</b>		
A	Polyurethane-covered Aluminum	★
S	Stainless Steel, Grade CF8M (ASTM A743)	
<b>Conduit / cable threads</b>		
1	½–14 NPT	★
2	M20 x 1.5 adapter	★
<b>Operating temperature and pressure<sup>(2)</sup></b>		<b>Probe type</b>
S	- 15 psig (-1bar) to 580 psig (40 bar) @ 302 °F (150 °C)	3301: All 3302: 1A, 2A, 3B, 4A, 4B, and 4S
		★

**Table 1. 3301 and 3302 Level and/or Interface in Liquids Ordering Information**

The starred options (★) represent the most common options and should be selected for best delivery. The non-starred offerings are subject to additional delivery lead time.

Material of construction <sup>(3)</sup> : Process connection / probe		Probe type		
1	316L SST (EN 1.4404)	3301: All 3302: 1A, 2A, 3B, 4A, 4B, and 4S	★	
2	Alloy C-276 (UNS N10276). With plate design if flanged version.	3301: 3A, 3B, and 4A 3302: 3B and 4A		
3	Alloy 400 (UNS N04400). With plate design if flanged version.	3301: 3A, 3B, 4A, 5A, and 5B 3302: 3B and 4A		
7	PTFE covered probe and flange. With plate design.	3301: 4A and 5A, Flanged version 3302: 4A, Flanged version		
8	PTFE covered probe	3301: 4A and 5A 3302: 4A		
<b>Sealing, o-ring material (consult factory for other o-ring materials)</b>				
V	Viton® Fluoroelastomer		★	
E	Ethylene Propylene		★	
K	Kalrez® 6375 Perfluoroelastomer		★	
B	Nitrile Butadiene (NBR)		★	
Probe type, model 3301		Process connection	Probe lengths	
3B	Coaxial, perforated. For level and interface measurement.	Flange / 1-in., 1½-in., 2-in. Thread	Min.: 1 ft. 4 in. (0.4 m) Max: 19 ft. 8 in. (6 m)	★
4B	Rigid Single Lead 0.5 in. (13 mm) <sup>(4)</sup>	Flange / 1-in., 1½-in., 2-in. Thread / Tri-Clamp™	Min.: 1 ft. 4 in. (0.4 m) Max: 19 ft. 8 in. (6.0 m)	★
5A	Flexible Single Lead with weight	Flange / 1-in., 1½-in., 2-in. Thread / Tri-Clamp	Min.: 3 ft. 4 in. (1 m) Max: 77 ft. (23.5 m)	★
1A	Rigid Twin Lead	Flange / 1½-in., 2-in. Thread	Min.: 1 ft. 4 in. (0.4 m) Max: 9 ft. 10 in. (3 m)	
2A	Flexible Twin Lead with weight	Flange / 1½-in., 2-in. Thread	Min.: 3 ft. 4 in. (1 m) Max: 77 ft. (23.5 m)	
3A	Coaxial (for level measurement)	Flange / 1-in., 1½-in., 2-in. Thread	Min.: 1 ft. 4 in. (0.4 m) Max: 19 ft. 8 in. (6 m)	
4A	Rigid Single Lead 0.3 in. (8 mm)	Flange / 1-in., 1½-in., 2-in. Thread / Tri-Clamp	Min.: 1 ft. 4 in. (0.4 m) Max: 9 ft. 10 in. (3 m)	
4S	Segmented Rigid Single Lead 0.5 in. (13 mm)	Flange / 1-in., 1½-in., 2-in. Thread / Tri-Clamp	Min.: 1 ft. 4 in. (0.4 m) Max: 19 ft. 8 in. (6.0 m)	
5B	Flexible Single Lead with chuck	Flange / 1-in., 1½-in., 2-in. Thread / Tri-Clamp	Min.: 3 ft. 4 in. (1 m) Max: 77 ft. (23.5 m)	
Probe Type, model 3302		Process connection	Probe lengths	
3B	Coaxial, perforated. For level and interface measurement.	Flange / 1-in., 1½-in., 2-in. Thread	Min.: 1 ft. 4 in. (0.4 m) Max: 19 ft. 8 in. (6 m)	★
4B	Rigid Single Lead 0.5 in. (13 mm) <sup>(4)</sup>	Flange / 1-in., 1½-in., 2-in. Thread / Tri-Clamp	Min.: 1 ft. 4 in. (0.4 m) Max: 19 ft. 8 in. (6.0 m)	★

**Table 1. 3301 and 3302 Level and/or Interface in Liquids Ordering Information**

The starred options (★) represent the most common options and should be selected for best delivery. The non-starred offerings are subject to additional delivery lead time.

1A	Rigid Twin Lead	Flange / 1½-in., 2-in. Thread	Min.: 1 ft. 4 in. (0.4 m) Max: 9 ft. 10 in. (3 m)	
2A	Flexible Twin Lead with weight	Flange / 1½-in., 2-in. Thread	Min.: 3 ft. 4 in. (1 m) Max: 77 ft. (23.5 m)	
4A	Rigid Single Lead 0.3 in. (8 mm)	Flange / 1-in., 1½-in., 2-in. Thread / Tri-Clamp	Min.: 1 ft. 4 in. (0.4 m) Max: 9 ft. 10 in. (3 m)	
4S	Segmented Rigid Single Lead 0.5 in. (13 mm)	Flange / 1-in., 1½-in., 2-in. Thread / Tri-Clamp	Min.: 1 ft. 4 in. (0.4 m) Max: 19 ft. 8 in. (6.0 m)	
<b>Probe length units</b>				
E	English (feet, inch)			★
M	Metric (meters, centimeters)			★
<b>Total probe length<sup>(5)</sup> (feet/m)</b>				
xx	0 - 77 ft. or 0-23 m			★
<b>Total probe length<sup>(5)</sup> (inch/cm)</b>				
xx	0 - 11 in. or 0-99 cm			★
<b>Process connection - size / type (consult factory for other process connections)</b>				
<b>ASME / ANSI flanges<sup>(6)(7)</sup></b>				
AA	2 in., 150 lb			★
AB	2 in., 300 lb			★
BA	3 in., 150 lb			★
BB	3 in., 300 lb			★
CA	4 in., 150 lb			★
CB	4 in., 300 lb			★
DA	6 in., 150 lb			
<b>EN (DIN) flanges<sup>(6)(7)</sup></b>				
HB	DN50, PN40			★
IA	DN80, PN16			★
IB	DN80, PN40			★
JA	DN100, PN16			★
JB	DN100, PN40			★
KA	DN150, PN16			
<b>JIS flanges<sup>(6)(7)</sup></b>				
UA	50A, 10K			★
VA	80A, 10K			★
XA	100A, 10K			★
UB	50A, 20K			

**Table 1. 3301 and 3302 Level and/or Interface in Liquids Ordering Information**

The starred options (★) represent the most common options and should be selected for best delivery. The non-starred offerings are subject to additional delivery lead time.

VB	80A, 20K		
XB	100A, 20K		
YA	150A, 10K		
YB	150A, 20K		
ZA	200A, 10K		
ZB	200A, 20K		
<b>Threaded connections<sup>(6)</sup></b>		<b>Probe type</b>	
RA	1½-in. NPT thread	3301: All 3302: 1A, 2A, 3B, 4A, 4B, and 4S	★
RC	2-in. NPT thread	3301: 1A, 2A, 3A, 3B, 4A, 4B, 4S, 5A, and 5B 3302: 1A, 2A, 3B, 4A, 4B, and 4S	★
RB	1-in. NPT thread	3301: 3A, 3B, 4A, 4B, 4S, 5A, and 5B 3302: 3B, 4A, 4B, and 4S	
SA	1½-in. BSP (G 1½-in.) thread	3301: All 3302: 1A, 2A, 3B, 4A, 4B, and 4S	
SB	1-in. BSP (G 1-in.) thread	3301: 3A, 3B, 4A, 4B, 4S, 5A, and 5B 3302: 3B, 4A, 4B, and 4S	
<b>Tri-Clamp fittings<sup>(6)</sup></b>		<b>Probe type</b>	
FT	1½-in. Tri-Clamp	3301: 4A, 4B, 4S, 5A, and 5B 3302: 4A, 4B, and 4S	
AT	2-in. Tri-Clamp	3301: 4A, 4B, 4S, 5A, and 5B 3302: 4A, 4B, and 4S	
BT	3-in. Tri-Clamp	3301: 4A, 4B, 4S, 5A, and 5B 3302: 4A, 4B, and 4S	
CT	4-in. Tri-Clamp	3301: 4A, 4B, 4S, 5A, and 5B 3302: 4A, 4B, and 4S	
<b>Proprietary flanges<sup>(8)</sup></b>			
TF	Fisher - proprietary 316L SST (for 249B, 259B cages) Torque Tube Flange		★
TT	Fisher - proprietary 316L SST (for 249C cages) Torque Tube Flange		★
TM	Masoneilan - proprietary 316L SST Torque Tube Flange		★
<b>Hazardous locations certifications</b>			
NA	No Hazardous Locations Certifications		★
E1	ATEX Flameproof <sup>(9)</sup>		★
E3	NEPSI Flameproof <sup>(9)</sup>		★
E4	TIIS Flameproof <sup>(9)</sup>		★
E5	FM Explosion-proof <sup>(9)</sup>		★
E6	CSA Explosion-proof <sup>(9)</sup>		★



**Table 1. 3301 and 3302 Level and/or Interface in Liquids Ordering Information**

The starred options (★) represent the most common options and should be selected for best delivery. The non-starred offerings are subject to additional delivery lead time.

E7	IECEX Flameproof <sup>(9)</sup>	★
I1	ATEX Intrinsic Safety	★
I3	NEPSI Intrinsic Safety	★
I5	FM Intrinsic Safety and Non-Incendive	★
I6	CSA Intrinsic Safety and Non-Incendive	★
I7	IECEX Intrinsic Safety	★
EM	Technical Regulations Customs Union (EAC) Flameproof (consult factory for details)	
IM	Technical Regulations Customs Union (EAC) Intrinsic Safety (consult factory for details)	
KA	ATEX and CSA Flameproof/Explosion-proof <sup>(9)</sup>	
KB	FM and CSA Explosion-proof <sup>(9)</sup>	
KC	ATEX and FM Flameproof/Explosion-proof <sup>(9)</sup>	
KD	ATEX and CSA Intrinsic Safety	
KE	FM and CSA Intrinsic Safety	
KF	ATEX and FM Intrinsic Safety	
<b>Options</b>		
<b>Display</b>		
M1	Integral digital display	★
<b>Hydrostatic testing</b>		
P1	Hydrostatic testing <sup>(10)</sup>	★
<b>Materials Certification</b>		
N2	NACE material recommendation per MR-0175 <sup>(11)</sup> , MR-0103	★
<b>Installation options</b>		
LS	Long stud <sup>(12)</sup> 9.8 in (250 mm) for flexible single lead probe to prevent contact with wall/nozzle. Standard height is 3.9 in (100 mm)	★
BR	Mounting Bracket for 1½-in. NPT Process Connection (RA)	
<b>Weight options for flexible single lead probe (5A)</b>		
W3	Heavy weight (recommended choice for most applications) Weight=2.43 lb (1.10 kg), Length=5.5 in. (140 mm), Diameter=1.5 in. (37.5 mm)	★
W2	Short weight (when measuring close to the probe end) <sup>(13)</sup> Weight=0.88 lb (0.40 kg, Length=2 in. (50 mm), Diameter=1.5 in. (37.5 mm)	
<b>Sx and Px - centering discs</b>		<b>Outer diameter</b>
S2	2-in. Centering disc <sup>(14)</sup>	1.8 in. (45 mm)
S3	3-in. Centering disc <sup>(14)</sup>	2.7 in. (68 mm)
S4	4-in. Centering disc <sup>(14)</sup>	3.6 in. (92 mm)
P2	2-in. Centering disc PTFE <sup>(15)</sup>	1.8 in. (45 mm)

**Table 1. 3301 and 3302 Level and/or Interface in Liquids Ordering Information**

The starred options (★) represent the most common options and should be selected for best delivery. The non-starred offerings are subject to additional delivery lead time.

P3	3-in. Centering disc PTFE <sup>(15)</sup>	2.7 in. (68 mm)	★
P4	4-in. Centering disc PTFE <sup>(15)</sup>	3.6 in. (92 mm)	★
S6	6-in. Centering disc <sup>(14)</sup>	5.55 in. (141 mm)	
S8	8-in. Centering disc <sup>(14)</sup>	7.40 in. (188 mm)	
P6	6-in. Centering disc PTFE <sup>(15)</sup>	5.55 in. (141 mm)	
P8	8-in. Centering disc PTFE <sup>(15)</sup>	7.40 in. (188 mm)	
<b>Remote housing<sup>(16)</sup></b>			
B1	1 m / 3.2 ft. Remote Housing Mounting Cable and Bracket		
B2	2 m / 6.5 ft. Remote Housing Mounting Cable and Bracket		
B3	3 m / 9.8 ft. Remote Housing Mounting Cable and Bracket		
<b>Cx - special configuration (software)</b>			
C1	Factory configuration (Configuration Data Sheet required with order, available at <a href="http://www.rosemount.com">www.rosemount.com</a> )		★
C4	Namur alarm and saturation levels, high alarm		★
C5	Namur alarm and saturation levels, low alarm		★
C8	Low alarm <sup>(17)</sup> (standard Rosemount alarm and saturation levels)		★
<b>Qx - special certs</b>			
Q4	Calibration Data Certification		★
Q8	Material Traceability Certification per EN 10204 3.1 <sup>(18)</sup>		★
U1	WHG Overfill Approval. Only available with HART 4-20 mA output (output code H)		★
QG	GOST Primary Verification Certificate		
<b>Consolidate to chamber</b>			
XC	Consolidate to Chamber <sup>(19)</sup>		
<b>Engineered solutions (see page 27)</b>			
Rxxx	Engineered Solutions beyond standard model codes. (Consult factory for details)		

(1) Requires external 8-30 Vdc power supply.

(2) Process seal rating. Final rating depends on flange and O-ring selection. See “Process temperature and pressure rating” on page 18”.

(3) For other materials, consult the factory.

(4) Available in SST. Consult the factory for other materials.

(5) Probe weight included if applicable. Give the total probe length in feet and inches or meters and centimeters, depending on selected probe length unit. If tank height is unknown, please round up to an even length when ordering. Probes can be cut to exact length in field. Maximum allowable length is determined by process conditions.

(6) Available in material 316L and EN 1.4404. For other materials consult the factory.

(7) ASME/ANSI: Raised face type for SST flanges. EN: Type A flat face for SST flanges. JIS: Raised face type for SST flanges.

(8) Available in material 316L. For pressure and temperature rating, see page 18.

- (9) Probes are intrinsically safe.
- (10) Available for flanged connection.
- (11) 3301: valid for probe type 3A, 3B, 4A, 4B, and 4S. 3302: valid for probe type 3B, 4A, 4B, and 4S.
- (12) Not available with PTFE covered probes.
- (13) Only for Material of Construction code 1 and Probe Type 5A.
- (14) Material in accordance with selected material of construction for probe types 2A, 4A, 4B, 4S, and 5A.
- (15) Available for SST, Alloy C-276, and Alloy 400 probes, type 2A, 4A, 4B, 4S, and 5A.
- (16) Requires software version 10 or higher
- (17) The standard alarm setting is high.
- (18) Option available for pressure retaining wetted parts.
- (19) Selecting the XC option code on the 3300 Guided Wave Radar and the 9901 Chamber will result in matching, consolidating, configuring, and shipping of the two products in one crate. Note that the flange bolts are only hand-tightened. Long rigid single lead probes (>8 ft/2.5 m) are shipped separately in order to reduce transportation risk damage.

## Rosemount 3301 and 3302 Accessories

**Table 2. Accessories**

The starred options (★) represent the most common options and should be selected for best delivery. The non-starred offerings are subject to additional delivery lead time.

Centering discs <sup>(1)(2)</sup>		Outer diameter	
03300-1655-0001	Kit, 2-in. Centering Disc, SST, Rigid Single	1.8 in. (45 mm)	★
03300-1655-0002	Kit, 3-in. Centering Disc, SST, Rigid Single	2.7 in. (68 mm)	★
03300-1655-0003	Kit, 4-in. Centering Disc, SST, Rigid Single	3.6 in. (92 mm)	★
03300-1655-0006	Kit, 2-in. Centering Disc, PTFE, Rigid Single	1.8 in. (45 mm)	★
03300-1655-0007	Kit, 3-in. Centering Disc, PTFE, Rigid Single	2.7 in. (68 mm)	★
03300-1655-0008	Kit, 4-in. Centering Disc, PTFE, Rigid Single	3.6 in. (92 mm)	★
03300-1655-1001	Kit, 2-in. Centering Disc, SST, Single / Twin Flex Lead	1.8 in. (45 mm)	★
03300-1655-1002	Kit, 3-in. Centering Disc, SST, Single / Twin Flex Lead	2.7 in. (68 mm)	★
03300-1655-1003	Kit, 4-in. Centering Disc, SST, Single / Twin Flex Lead	3.6 in. (92 mm)	★
03300-1655-1006	Kit, 2-in. Centering Disc, PTFE, Single / Twin Flex Lead	1.8 in. (45 mm)	★
03300-1655-1007	Kit, 3-in. Centering Disc, PTFE, Single / Twin Flex Lead	2.7 in. (68 mm)	★
03300-1655-1008	Kit, 4-in. Centering Disc, PTFE, Single / Twin Flex Lead	3.6 in. (92 mm)	★
03300-1655-0004	Kit, 6-in. Centering Disc, SST, Rigid Single	5.55 in. (141 mm)	
03300-1655-0005	Kit, 8-in. Centering Disc, SST, Rigid Single	7.40 in. (188 mm)	
03300-1655-0009	Kit, 6-in. Centering Disc, PTFE, Rigid Single	5.55 in. (141 mm)	
03300-1655-0010	Kit, 8-in. Centering Disc, PTFE, Rigid Single	7.40 in. (188 mm)	
03300-1655-1004	Kit, 6-in. Centering Disc, SST, Single / Twin Flex Lead	5.55 in. (141 mm)	
03300-1655-1005	Kit, 8-in. Centering Disc, SST, Single / Twin Flex Lead	7.40 in. (188 mm)	
03300-1655-1009	Kit, 6-in. Centering Disc, PTFE, Single / Twin Flex Lead	5.55 in. (141 mm)	
03300-1655-1010	Kit, 8-in. Centering Disc, PTFE, Single / Twin Flex Lead	7.40 in. (188 mm)	
Centering discs for mounting between segments (probe type 4S only)		Outer diameter	
03300-1656-1002	2-in. Centering Disc (1 pc), PTFE, Segmented Rigid Single Lead	1.8 in. (45 mm)	
03300-1656-1003	3-in. Centering Disc (1 pc), PTFE, Segmented Rigid Single Lead	2.7 in. (68 mm)	
03300-1656-1004	4-in. Centering Disc (1 pc), PTFE, Segmented Rigid Single Lead	3.6 in. (92 mm)	
03300-1656-1006	6-in. Centering Disc (1 pc), PTFE, Segmented Rigid Single Lead	5.55 in. (141 mm)	
03300-1656-1008	8-in. Centering Disc (1 pc), PTFE, Segmented Rigid Single Lead	7.40 in. (188 mm)	
03300-1656-3002	2-in. Centering Disc (3 pcs), PTFE, Segmented Rigid Single Lead	1.8 in. (45 mm)	
03300-1656-3003	3-in. Centering Disc (3 pcs), PTFE, Segmented Rigid Single Lead	2.7 in. (68 mm)	
03300-1656-3004	4-in. Centering Disc (3 pcs), PTFE, Segmented Rigid Single Lead	3.6 in. (92 mm)	
03300-1656-3006	6-in. Centering Disc (3 pcs), PTFE, Segmented Rigid Single Lead	5.55 in. (141 mm)	
03300-1656-3008	8-in. Centering Disc (3 pcs), PTFE, Segmented Rigid Single Lead	7.40 in. (188 mm)	

**Table 2. Accessories**



The starred options (★) represent the most common options and should be selected for best delivery. The non-starred offerings are subject to additional delivery lead time.

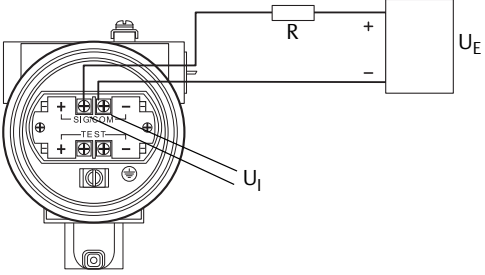
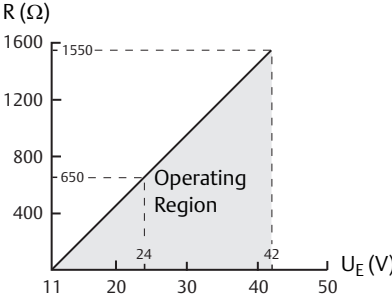
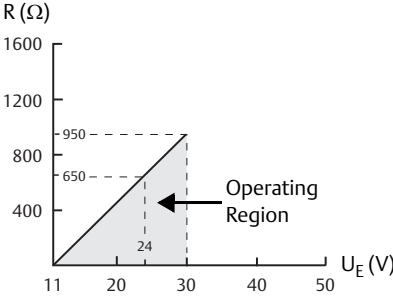
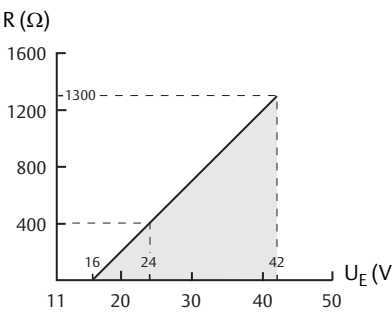
03300-1656-5002	2-in. Centering Disc (5 pcs), PTFE, Segmented Rigid Single Lead	1.8 in. (45 mm)	
03300-1656-5003	3-in. Centering Disc (5 pcs), PTFE, Segmented Rigid Single Lead	2.7 in. (68 mm)	
03300-1656-5004	4-in. Centering Disc (5 pcs), PTFE, Segmented Rigid Single Lead	3.6 in. (92 mm)	
03300-1656-5006	6-in. Centering Disc (5 pcs), PTFE, Segmented Rigid Single Lead	5.55 in. (141 mm)	
03300-1656-5008	8-in. Centering Disc (5 pcs), PTFE, Segmented Rigid Single Lead	7.40 in. (188 mm)	
<b>Segmented rigid single lead probe spare part kit</b>			
03300-0050-0001	15.2 in. / 385 mm Segment for Top connection (1 pc)		
03300-0050-0002	31.5 in. / 800 mm Segment (1 pc)		
03300-0050-0003	31.5 in. / 800 mm Segment (3 pcs)		
03300-0050-0004	31.5 in. / 800 mm Segment (5 pcs)		
03300-0050-0005	31.5 in. / 800 mm Segment (12 pcs)		
<b>Vented flanges<sup>(3)</sup></b>			
03300-1812-0091	Fisher 249B/259B <sup>(4)</sup>		
03300-1812-0092	Fisher 249C <sup>(4)</sup>		
03300-1812-0093	Masoneilan <sup>(4)</sup>		
<b>HART modem and cables</b>			
03300-7004-0001	MACTek Viator HART Modem and cables (RS232 connection)		★
03300-7004-0002	MACTek Viator HART Modem and cables (USB connection)		★

- (1) If a centering disc is required for a flanged probe the centering disc can be ordered with options Sx or Px on page 9 in the model code. If a centering disc is required for a threaded connection or as a spare part it should be ordered using the item numbers listed below.
- (2) To order a centering disc in a different material, consult the factory.
- (3) 1½-in. NPT threaded connection (RA) is required.
- (4) For pressure and temperature rating, see “Fisher & Masoneilan Flange Rating” on page 18.

# Specifications

## Functional specifications

General	
Field of Application	Liquids and semi-liquids level or liquid/liquid interfaces <ul style="list-style-type: none"> <li>■ Model 3301, for level or submerged probe interface measurement</li> <li>■ Model 3302, for level and interface measurements</li> </ul>
Measurement Principle	Time Domain Reflectometry (TDR). (See “ <a href="#">Measurement principle</a> ” on page 2 for a description of how it works)
Microwave Output Power	Nominal 50 μW, Max. 2 mW
Telecommunication (FCC and R&TTE)	FCC part 15 (1998) subpart B and R&TTE (EU directive 99/5/EC). The 3300 Series is considered to be an <i>unintentional radiator</i> under the Part 15 rules
Humidity	0 to 100% relative humidity
Start-up time	< 10 s
4–20 mA HART (output option code H) – (see signal output in <a href="#">Table 1</a> on page 5)	
Output	<p>Two-wire, 4–20 mA. Digital process variable is superimposed on 4–20 mA signal, and available to any host that conforms to the HART protocol (HART rev. 5). The HART signal can be used in a multidrop mode.</p>
HART Tri-Loop	 <p>By sending the digital HART signal to the optional HART Tri-Loop, it is possible to have up to three additional 4–20 mA analog signals. See the <a href="#">Rosemount 333 HART Tri-Loop Product Data Sheet</a> (document number 00813-0100-4754) for additional information.</p>
Smart Wireless THUM Adapter	 <p>The optional THUM adapter can be mounted directly on the transmitter or by using a remote mounting kit. IEC 62591 (<i>WirelessHART</i>) enables access to multi-variable data and diagnostics, and adds wireless to almost any measurement point. See the <a href="#">Rosemount Smart Wireless THUM adapter Product Data Sheet</a> (document number 00813-0100-4075) and <a href="#">Smart Wireless THUM Adapter for Rosemount Process Level Transmitter Applications</a> (document number 00840-0100-4026).</p>

<p>External Power Supply</p>	<p>The input voltage (<math>U_i</math>) for HART is 11 to 42 Vdc (11 to 30 Vdc in IS applications, and 16 to 42 Vdc in Explosion-proof/Flameproof applications).</p> <p>For Flameproof/Explosion-proof installations the Rosemount 3300 Series transmitters have a built-in barrier; no external barrier needed.</p> <p>When a Smart Wireless THUM adapter is fitted, it adds a maximum drop of 2.5 Vdc in the connected loop.</p> <p><math>R</math> = Load Resistance (<math>\Omega</math>); <math>U_E</math> = External Power Supply Voltage (Vdc); and <math>U_i</math> = Input Voltage (Vdc)</p> 
<p>IS Electrical Parameters</p>	<p><math>U_i = 30</math> V, <math>I_i = 130</math> mA, <math>P_i = 1</math> W, <math>L_i = 0</math>, <math>C_i = 0</math></p>
<p>Signal on Alarm</p>	<p>Standard: Low = 3.75 mA. High = 21.75 mA; Namur NE43: Low = 3.6 mA. High = 22.5 mA</p>
<p>Saturation Levels</p>	<p>Standard: Low = 3.9 mA. High=20.8 mA; Namur NE43: Low = 3.8 mA. High = 20.5 mA</p>
<p>Load Limitations</p>	<p>Maximum load resistance is determined by the voltage level of the external power supply, as described by:</p> <div style="display: flex; justify-content: space-around;"> <div data-bbox="479 863 868 1207"> <p><b>Non-Hazardous Installations</b></p>  </div> <div data-bbox="966 863 1356 1207"> <p><b>Intrinsically Safe Installations</b></p>  </div> </div> <div style="border: 1px solid black; padding: 5px; margin: 10px auto; width: fit-content;"> <p><math>U_E</math> = External Power Supply Voltage; <math>R (\Omega)</math> = Maximum Load Resistance</p> </div> <div style="display: flex; justify-content: space-between; margin-top: 20px;"> <div data-bbox="479 1304 868 1690"> <p><b>Explosion-proof/Flameproof (Ex d) Installations</b></p>  </div> <div data-bbox="982 1459 1437 1617" style="border: 1px solid black; padding: 5px;"> <p><b>Note</b> For the Ex d case, the diagram is only valid if the HART load resistance is at the + side, otherwise the load resistance value is limited to 300 <math>\Omega</math>.</p> </div> </div>

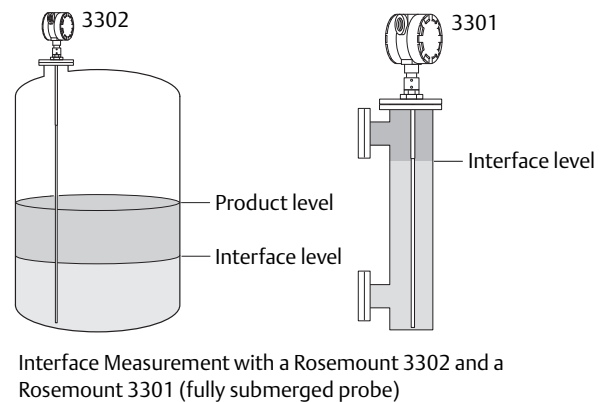
<b>Modbus (output option code M) – (see signal output in Table 1 on page 5)</b>	
Output	<p>The RS-485 Modbus version communicates by Modbus RTU, Modbus ASCII, and Levelmaster protocols.</p> <p>8 data bits, 1 start bit, 1 stop bit, and software selectable parity.                      Baud Rate: 1200, 2400, 4800, 9600 (default), and 19200 bits/s.                      Address Range: 1 to 255 (default device address is 246).</p> <p>HART communication is used for configuration via the HART terminals or tunneling via the RS-485.</p>
External Power Supply	<p>The input voltage (<math>U_i</math>) for Modbus is 8 to 30 Vdc.</p> <p>Power consumption:                      &lt; 0.5 W (with HART address=1)                      &lt; 1.2 W (incl. four HART slaves)</p> <p>For Flameproof/Explosion-proof installations the Rosemount 3300 Series transmitters have a built-in barrier; no external barrier needed.</p>
<b>Display and configuration</b>	
Integral Display (Options Code M1)	<p>The integral display toggles between the following variables:                      level, distance, volume, internal temperature, interface distance, interface level, peak amplitudes, interface thickness, percent of range, and analog current output</p> <hr/> <p><b>Note</b>                      The Integral Display cannot be used to configure the transmitter.</p>
Remote Display	<p>Data can be read remotely by using the four-digit Rosemount 751 Field Signal Indicator. For further information, see the <a href="#">Rosemount 751 Product Data Sheet</a> (Document Number 00813-0100-4378).</p>



<p>Configuration Tools (See earlier “Output” diagrams)</p>	<p>Emerson Field Communicator (e.g. 375/475 Field Communicator), Radar Configuration Tools (RCT) software package for PC (included with delivery of transmitter), or Emerson AMS<sup>®</sup> Device Manager for PC, or DeltaV<sup>™</sup> or any other DD (Device Description) compatible host systems.</p> <hr/> <p><b>Note</b></p> <ul style="list-style-type: none"> <li>■ DTM<sup>™</sup> (compliant with version 1.2 of the FDT<sup>®</sup>/DTM specification) is also available supporting configuration in for instance Yokogawa<sup>®</sup> Fieldmate/PRM, E+H<sup>™</sup> FieldCare, and PactWare<sup>™</sup>.</li> <li>■ To communicate using RCT or AMS Device Manager, a HART modem is required. The HART modem is available as an RS232 or USB version (see “Rosemount 3301 and 3302 Accessories” on page 12).</li> <li>■ The transmitter can be pre-configured by selecting option code C1 (see page 10) and sending a completed Configuration Data Sheet (CDS). The CDS is available from <a href="http://www.rosemount.com">www.rosemount.com</a>.</li> </ul>
<p>Output Units</p>	<p>For Level, Interface, and Distance: ft, inch, m, cm, or mm For Volume: ft<sup>3</sup>, inch<sup>3</sup>, US gals, Imp gals, barrels, yd<sup>3</sup>, m<sup>3</sup>, or liters</p>
<p>Output Variables</p>	<p>Model 3301: Level, Distance (to product surface), Volume, Internal Temperature, and Peak Amplitudes. (For submerged probe interface measurements: Interface Level and Interface Distance) Model 3302: Level, Distance (to product surface), Volume, Interface Level, Interface Distance, Upper Product Thickness, Internal Temperature, and Peak Amplitudes</p>
<p>Damping</p>	<p>0 to 60 s (10 s is the default value)</p>
<p><b>Temperature limits</b></p>	
<p>Ambient Temperature</p>	<p>The maximum and minimum ambient temperature for the electronics depends on the process temperature and on the approval (see “Product Certifications” on page 31).</p> <ul style="list-style-type: none"> <li>■ The temperature range for the optional Integral Display is –40 °F (–40 °C) to 185 °F (85 °C).</li> <li>■ To lower the temperature around the electronics, a Remote Mounting Connection can be used. The maximum temperature for the Remote Housing Connection at the vessel connection point is 302 °F (150 °C).</li> </ul>
<p>Storage Temperature</p>	<p>–40 to 176 °F (–40 to 80 °C)</p>

Process temperature and pressure rating	
Process Temperature	<p><b>Max. Rating, Standard Tank Connections</b></p> <p>Final rating depends on flange and O-ring selection. <a href="#">Table 3 on page 19</a> gives the temperature ranges for standard tank seals with different O-ring materials.</p> <p><b>Note</b> The maximum product temperature is at the lower part of the flange.</p> <p><b>Note</b> The maximum temperature for the Remote Housing Connection at the vessel connection point is 302 °F(150 °C).</p> <p><b>Note</b> The flanges, except the Fisher and Masoneilan flanges, are triple certified for the materials 316, 316L, and EN 1.4404. The pressure rating is according to 316L.</p>
ASME/ANSI Flange Rating	316L SST Flanges according to ASME B16.5 Table 2-2.3. Max. 302 °F/580 psig (150 °C/40 bar)
EN Flange Rating	1.4404 according to EN 1092-1 material group 13E0. Max. 302 °F/580 psig (150 °C/40 bar)
Fisher & Masoneilan Flange Rating	316L SST Flanges according to ASME B16.5 Table 2-2.3. Max. 302 °F/580 psig (150 °C/40 bar)
JIS Flange Rating	316L SST Flanges according to JIS B2220 material group 2.3. Max. 302 °F/580 psig (150 °C/40 bar)
Tri-Clamps Rating	Maximum pressure is 16 bar for 1½-in. (37.5 mm) and 2-in. (50 mm) housing; and 10 bar for 3-in. (75 mm) and 4-in. (100 mm) housing. The final rating depends on the clamp and gasket.
Plate Design	<p>Certain models of flanged alloy and PTFE covered probes have a tank connection design with a protective flange plate of the same material as the probe and with a backing flange in 316 or 316L / EN 1.4404. The protective flange plate prevents the backing flange from being exposed to the tank atmosphere.</p> <p>For Alloy C-276 and Alloy 400, probes with flange plate design is available up to Class 300/PN 40.</p> <p>For PTFE, probes with flange plate design is available up to Class 150/PN 16.</p>
Flange Connection Rating	See <a href="#">Table 4</a> for the conditions used for flange strength calculations.

Interface Measurements	
<p>Considerations</p>	<p>The Rosemount 3302 is a good choice for measuring the interface of oil and water, or other liquids with significant dielectric differences. It is also possible to measure interfaces with a Rosemount 3301 in applications where the probe is fully submerged in the liquid. If interface is to be measured, follow these criteria:</p> <ul style="list-style-type: none"> <li>■ The dielectric constant of the upper product must be known and should not vary. The Radar Configuration Tools software has a built-in dielectric constant calculator to assist the user in determining the dielectric constant of the upper product.</li> <li>■ The dielectric constant of the upper product must have a lower dielectric constant than the lower product to have a distinct reflection.</li> <li>■ The difference between the dielectric constants for the two products must be larger than 10.</li> <li>■ Max. dielectric constant for the upper product is 10 for the coaxial probe and 5 for twin lead probes.</li> <li>■ The upper product thickness must be larger than 8 in. (0.2 m) for the flexible twin lead probe; 4 in. (0.1 m) for the rigid twin lead, and coaxial probes in order to distinguish the echoes of the two liquids.</li> <li>■ Sometimes there is an emulsion layer (mix of the products) between the two products which can affect interface measurements. For guidelines on emulsion situations, consult your local Emerson Process Management representative.</li> </ul>



**Table 3. Temperature Ranges for Standard Tank Seals with Different O-ring Materials**

Tank seal with different O-ring material	Min. temperature °F (°C) in air	Max. temperature °F (°C) in air
Viton Fluoroelastomer	5 (-15)	302 (150)
Ethylene Propylene (EPDM)	-40 (-40)	266 (130)
Kalrez 6375 Perfluoroelastomer	14 (-10)	302 (150)
Nitrile Butadiene (NBR)	-31 (-35)	230 (110)

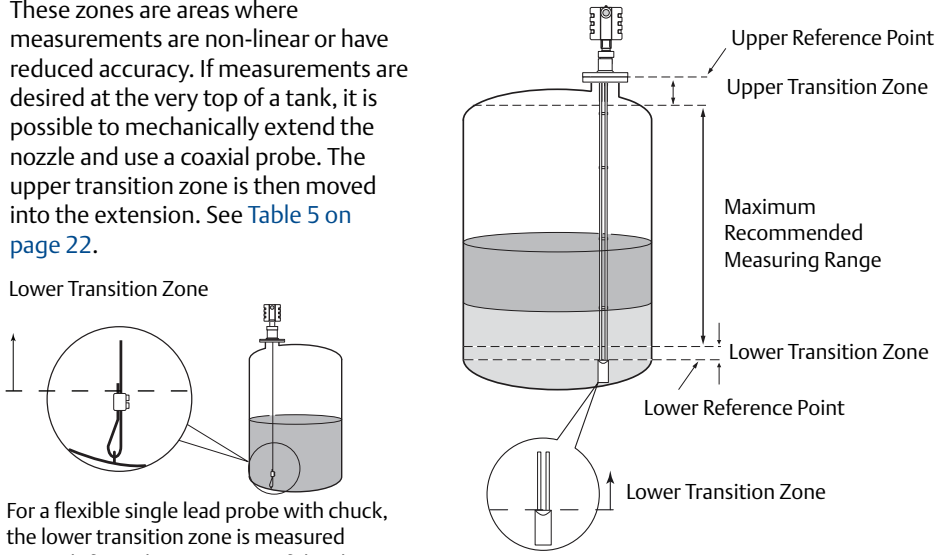
**Note**

Always check the chemical compatibility of the o-ring material with your application.

**Table 4. Conditions Used for Flange Strength Calculations**

	Bolting material	Gasket	Flange material	Hub material
ASME / ANSI	SST SA193 B8M Class 2	Soft (1a) with min. thickness 1.6 mm	SST A182 Gr. F316L and EN 10222-5-1.4404	SST SA479M 316L and EN 10272-1.4404
EN, JIS	EN 1515-1/-2 group 13E0, A4-70	Soft (EN 1514-1) with min. thickness 1.6 mm		

## Performance specifications

General	
Reference Conditions	Twin Lead probe, 77 °F (25 °C) water
Reference Accuracy	± 0.2 in. (5 mm) for probes ≤16.4 ft. (5 m) ± 0.1% of measured distance for rigid probes >16.4 ft. (5 m) ± 0.15% of measured distance for flexible probes >16.4 ft. (5 m)
Repeatability	± 0.04 in. (1 mm)
Ambient Temperature Effect	Less than 0.01% of measured distance per °C
Update Interval	1 per second
Measuring range	
Transition Zones	<p>These zones are areas where measurements are non-linear or have reduced accuracy. If measurements are desired at the very top of a tank, it is possible to mechanically extend the nozzle and use a coaxial probe. The upper transition zone is then moved into the extension. See <a href="#">Table 5 on page 22</a>.</p>  <p>Lower Transition Zone</p> <p>For a flexible single lead probe with chuck, the lower transition zone is measured upwards from the upper part of the clamp.</p>
Measuring Range and Minimum Dielectric Constant	<p>16 in. (0.4 m) to 77 ft. (23.5 m)</p> <p>See <a href="#">Table 6 on page 22</a> for each probe's measuring range and minimum dielectric constant. Due to the measuring range depending on the application and factors described below, the values are a guideline for clean liquids. For more information, ask your local Emerson Process Management representative.</p> <p>Different parameters (factors) affect the echo and therefore the maximum measuring range differs depending on application according to:</p> <ul style="list-style-type: none"> <li>■ Disturbing objects close to the probe</li> <li>■ Media with higher dielectric constants (<math>\epsilon_r</math>) give better reflection and allow a longer measuring range</li> <li>■ Surface foam and particles in the tank atmosphere may affect measuring performance</li> <li>■ Heavy coating or contamination on the probe should be avoided since it can reduce measuring range and might cause erroneous level readings</li> </ul> <p><b>Note</b> See <a href="#">Table 7 on page 23</a> for the measuring range when using the Remote Housing.</p>

<p>Interface Measuring Range</p>	<p>Target applications include interfaces between oil; oil-like and water; and water-like liquids with a low (&lt;3) upper product dielectric constant and a high (&gt;20) lower product dielectric constant. For such applications, the max measuring range is only limited by the length of the coaxial, rigid twin and rigid single lead probes.</p> <p>For the flexible twin lead probe, the maximum measuring range will be reduced depending on the maximum upper product thickness according to the diagram.</p> <p>Maximum Measuring Range, Flexible Twin Lead Probe, ft. (m)</p> <table border="1"> <caption>Data from Maximum Measuring Range Graph</caption> <thead> <tr> <th>Max Upper Product Thickness, ft. (m)</th> <th>Dielectric Constant 2 (ft. (m))</th> <th>Dielectric Constant 3 (ft. (m))</th> <th>Dielectric Constant 5 (ft. (m))</th> </tr> </thead> <tbody> <tr> <td>0 (0)</td> <td>75.5 (23)</td> <td>75.5 (23)</td> <td>75.5 (23)</td> </tr> <tr> <td>3.3 (1)</td> <td>74.5 (22.7)</td> <td>73.5 (22.4)</td> <td>72.5 (22.1)</td> </tr> <tr> <td>6.6 (2)</td> <td>73.5 (22.4)</td> <td>71.5 (21.8)</td> <td>69.5 (21.2)</td> </tr> <tr> <td>9.8 (3)</td> <td>72.5 (22.1)</td> <td>69.5 (21.2)</td> <td>67.5 (20.6)</td> </tr> <tr> <td>13.1 (4)</td> <td>71.5 (21.8)</td> <td>68.5 (20.9)</td> <td>66.5 (20.3)</td> </tr> <tr> <td>16.4 (5)</td> <td>70.5 (21.5)</td> <td>67.5 (20.6)</td> <td>65.5 (19.9)</td> </tr> </tbody> </table> <p>Example: If the Upper Product Dielectric Constant is 2, and the Upper Product Thickness is 5 ft. (1.5 m), the Maximum Measuring Range is 75.5 ft. (23 m).</p> <p>However, characteristics vary between different applications. For other product combinations, consult your local Emerson Process Management representative.</p>	Max Upper Product Thickness, ft. (m)	Dielectric Constant 2 (ft. (m))	Dielectric Constant 3 (ft. (m))	Dielectric Constant 5 (ft. (m))	0 (0)	75.5 (23)	75.5 (23)	75.5 (23)	3.3 (1)	74.5 (22.7)	73.5 (22.4)	72.5 (22.1)	6.6 (2)	73.5 (22.4)	71.5 (21.8)	69.5 (21.2)	9.8 (3)	72.5 (22.1)	69.5 (21.2)	67.5 (20.6)	13.1 (4)	71.5 (21.8)	68.5 (20.9)	66.5 (20.3)	16.4 (5)	70.5 (21.5)	67.5 (20.6)	65.5 (19.9)
Max Upper Product Thickness, ft. (m)	Dielectric Constant 2 (ft. (m))	Dielectric Constant 3 (ft. (m))	Dielectric Constant 5 (ft. (m))																										
0 (0)	75.5 (23)	75.5 (23)	75.5 (23)																										
3.3 (1)	74.5 (22.7)	73.5 (22.4)	72.5 (22.1)																										
6.6 (2)	73.5 (22.4)	71.5 (21.8)	69.5 (21.2)																										
9.8 (3)	72.5 (22.1)	69.5 (21.2)	67.5 (20.6)																										
13.1 (4)	71.5 (21.8)	68.5 (20.9)	66.5 (20.3)																										
16.4 (5)	70.5 (21.5)	67.5 (20.6)	65.5 (19.9)																										
<p><b>Environment</b></p>																													
<p>Vibration Resistance</p>	<p>Polyurethane-covered aluminum housing: IEC 60770-1. SST housing: IACS E10</p>																												
<p>Electromagnetic Compatibility</p>	<p>Emission and Immunity: meets EN 61326-1 (2006) and amendment A1, class A equipment intended for use in industrial locations if installed in metallic vessels or still-pipes. When rigid/flexible single and twin lead probes are installed in non-metallic or open vessels, influence of strong electromagnetic fields might affect measurements.</p>																												
<p>Built-in Lightning Protection</p>	<p>Meets EN 61000-4-4 Severity Level 4 and EN 61000-4-5 Severity Level 4</p>																												
<p>Coating (See <a href="#">Table 8 on page 23</a>)</p>	<ul style="list-style-type: none"> <li>■ Single lead probes are preferred when there is a risk for contamination (because coating can result in product bridging across the two leads for twin versions; between the inner lead and outer pipe for the coaxial probe).</li> <li>■ PTFE probes are recommended for viscous or sticky applications. Periodic cleaning might be required.</li> <li>■ For viscous or sticky applications, it is not recommended to use centering discs mounted along the probe.</li> <li>■ Maximum error due to coating is 1 to 10% depending on probe type, dielectric constant, coating thickness, and coating height above product surface.</li> </ul>																												
<p>CE-mark</p>	<p>The 4–20 mA HART version (Output Option Code H) complies with applicable directives (EMC and ATEX).</p>																												

**Table 5. Transition Zones**

	Dielectric constant	Rigid single lead/ segmented rigid single lead	Flexible single lead	Coaxial	Rigid twin lead	Flexible twin lead
<b>Upper<sup>(1)</sup> Transition Zone</b>	80	4 in. (10 cm)	5.9 in. (15 cm)	4 in. (10 cm)	4 in. (10 cm)	5.9 in. (15 cm)
	2	4 in. (10 cm)	20 in. (50 cm)	4 in. (10 cm)	4 in. (10 cm)	8 in. (20 cm)
<b>Lower<sup>(2)</sup> Transition Zone</b>	80	2 in. (5 cm)	2 in. (5 cm) <sup>(3)(4)</sup>	1.2 in. (3 cm)	2 in. (5 cm)	2 in. (5 cm) <sup>(4)</sup>
	2	4 in. (10 cm) <sup>(5)</sup>	6.3 in. (16 cm) - long weight, short weight, and chuck <sup>(4)(5)</sup>	2 in. (5 cm)	2.8 in. (7 cm)	5.9 in. (15 cm) <sup>(4)(5)</sup>

- (1) The distance from the upper reference point where measurements have reduced accuracy.
- (2) The distance from the lower reference point where measurements have reduced accuracy.
- (3) The measuring range for the PTFE covered Flexible Single Lead probe includes the weight when measuring on a high dielectric media.
- (4) Note that the weight length or chuck fastening length adds to non-measurable area and is not included in the diagram. See “Dimensional Drawings” on page 37.
- (5) When using a metallic centering disc, the lower transition zone is 8 in. (20 cm), including weight if applicable. When using a PTFE centering disc, the lower transition zone is not affected.

**Note**

The 4–20 mA set points are recommended to be configured between the transition zones, within the measuring range.

**Table 6. Measuring Range and Minimum Dielectric Constant**

	Rigid single lead/ segmented rigid single lead	Flexible single lead	Coaxial	Rigid twin lead	flexible twin lead
<b>Maximum measuring range</b>	9 ft 10 in. (3 m) for 8 mm probes (code 4A)	77 ft 1 in. (23.5 m)	19 ft 8 in. (6 m)	9 ft 10 in. (3 m)	77 ft 1 in. (23.5 m)
	19 ft. 8 in. (6.0 m) for 13 mm probes (code 4B)				
	19 ft. 8 in. (6.0 m) for 13 mm probes (code 4S)				
<b>Minimum dielectric constant</b>	2.5 (or 1.7 if installed in a metallic bypass or stilling well) <sup>(1)</sup>	2.5 up to 36 ft (11 m) <sup>(2)</sup> 5.0 up to 66 ft (20 m) 7.5 up to 77 ft 1 in. (23.5 m)	1.5	1.9	1.6 up to 33 ft (10 m) 2.0 up to 66 ft (20 m) 2.4 up to 77 ft 1 in. (23.5 m)

- (1) May be lower depending on installation.
- (2) In pipes with a diameter less than 8 in. (20 cm), the minimum dielectric constant is 2.0.

**Table 7. Measuring Range and Minimum Dielectric Constant when using Remote Housing**

	Rigid single lead/ Segmented rigid single lead	Flexible single lead	Coaxial	Rigid twin lead	Flexible twin lead
<b>Maximum measuring range</b>	9 ft. 10 in. (3 m) - for 8 mm probes 14 ft. 9 in. (4.5 m) - for 13 mm probes	77 ft. 1 in. (23.5 m)	19 ft. 8 in. (6 m)	9 ft. 10 in. (3 m)	77 ft. 1 in. (23.5 m)
<b>Minimum dielectric constant with 1 m remote housing</b>	2.7 (2.0 if installed in a metallic bypass or stilling well) <sup>(1)</sup>	2.7 up to 36 ft. (11 m) 6 up to 66 ft. (20 m) 10 up to 72 ft. (22 m)	1.5	2.1	1.7 up to 33 ft. (10 m) 2.2 up to 66 ft. (20 m) 2.6 up to 72 ft. (22 m)
<b>Minimum dielectric constant with 2 m remote housing</b>	3.3 (2.2 if installed in a metallic bypass or stilling well) <sup>(1)</sup>	3.2 up to 36 ft. (11 m) 8 up to 67 ft. (20.5 m)	1.6	2.5	1.8 up to 33 ft. (10 m) 2.4 up to 67 ft. (20.5 m)
<b>Minimum dielectric constant with 3 m remote housing</b>	3.8 (2.5 if installed in a metallic bypass or stilling well) <sup>(1)</sup>	3.7 up to 36 ft. (11 m) 11 up to 62 ft. (19 m)	1.7	2.8	2.0 up to 33 ft. (10 m) 2.7 up to 62 ft. (19 m)

(1) May be lower depending on installation.

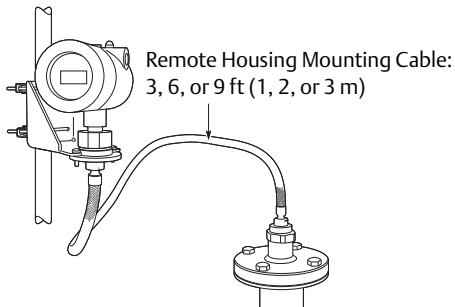
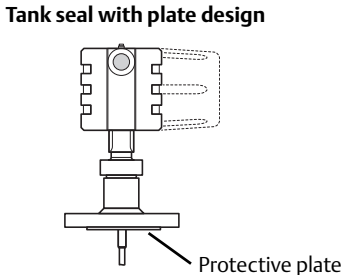
**Table 8. Maximum Recommended Viscosity and Coating / Build-up**

	Coaxial	Twin Lead	Single Lead
<b>Maximum Viscosity</b>	500 cP	1500 cP	8000 cP <sup>(1)(2)</sup>
<b>Coating / Build-up</b>	Coating not recommended	Thin coating allowed, but no bridging	Coating allowed

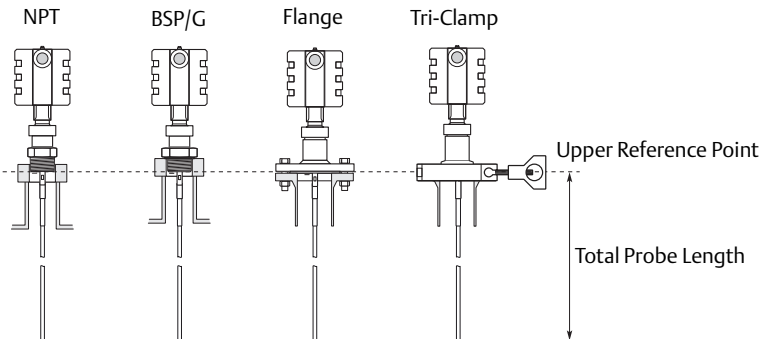
(1) Consult your local Emerson Process Management representative in the case of agitation/turbulence and high viscous products.

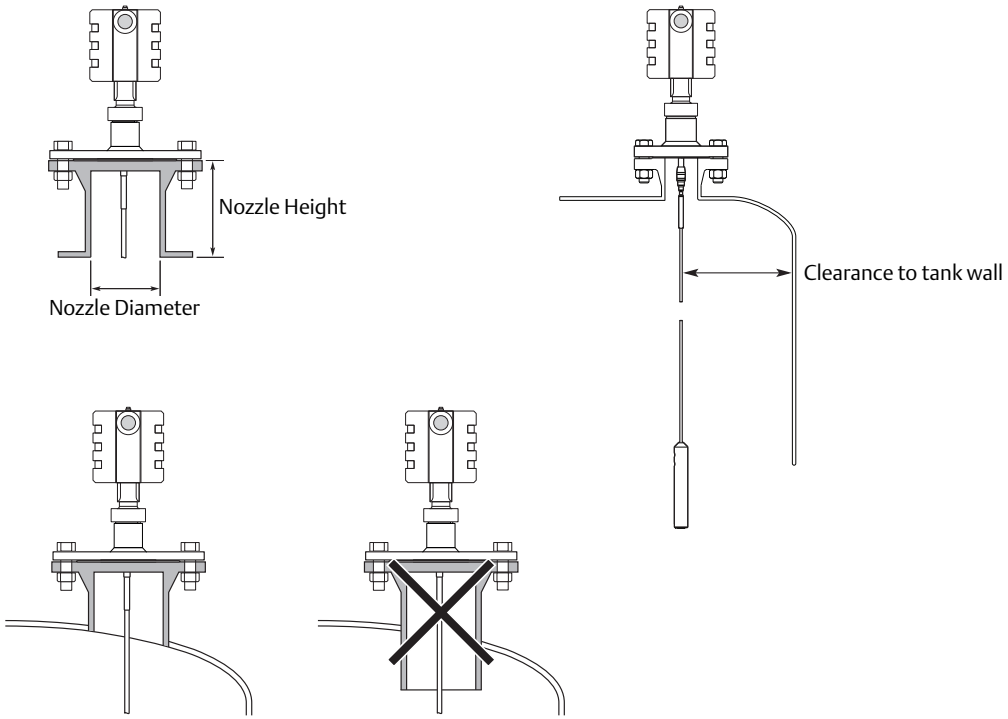
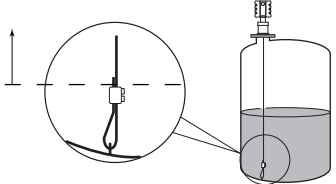
(2) For viscous or sticky applications, it is not recommended to use centering discs mounted along the probe.

## Physical specifications

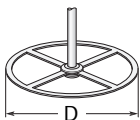
Material selection	
Material Selection	Emerson provides a variety of Rosemount product with various product options and configurations including materials of construction that can be expected to perform well in a wide range of applications. The Rosemount product information presented is intended as a guide for the purchaser to make an appropriate selection for the application. It is the purchaser's sole responsibility to make a careful analysis of all process parameters (such as all chemical components, temperature, pressure, flow rate, abrasives, contaminants, etc.), when specifying product, materials, options and components for the particular application. Emerson Process Management is not in a position to evaluate or guarantee the compatibility of the process fluid or other process parameters with the product, options, configuration or materials of construction selected.
Housing and enclosure	
Type	Dual compartment (removable without opening the tank). Electronics and cabling are separated. Two entries for conduit or cable connections. The transmitter housing can be rotated in any direction.
Electrical Connection	½ - 14 NPT for cable glands or conduit entries. Optional: M20 x 1.5 conduit/cable adapter or PG 13.5 conduit/cable adapter. Recommended output cabling is twisted shielded pairs, 18-12 AWG.
Housing Material	Polyurethane-covered Aluminium or SST Grade CF8M (ASTM A743)
Ingress Protection	NEMA 4X, IP 66, IP 67
Factory Sealed	Yes
Weight	Transmitter Head (TH): 5.5 lb (2.5 kg) in Aluminum, 11 lb (5 kg) in SST
Remote Housing Mounting	<p>Kit that includes a flexible armored extension cable and a bracket for wall or pipe mounting. See <a href="#">Figure 9 on page 42</a> for the dimensions.</p> 
Tank connection and probe	
Tank Connection	<p>The tank connection consists of a tank seal, a flange, Tri-Clamp, or NPT or BSP/G threads.</p> <p>Certain models of flanged alloy and PTFE covered probes have a tank connection design with a protective flange plate of the same material as the probe and with a backing flange in 316L / EN 1.4404. The protective flange plate prevents the backing flange from being exposed to the tank atmosphere.</p> <p>See "<a href="#">Dimensional Drawings</a>" on page 34.</p> 
Flange Dimensions	Follows ASME B 16.5, JIS B2220, and EN 1092-1 standards for blind flanges. For Proprietary Fisher® and Masoneilan® flanges, see " <a href="#">Proprietary Flanges</a> " on page 42.
Vented Flanges	Available with Masoneilan and Fisher vented flanges. Vented flanges must be ordered as accessories with a 1½-in. NPT threaded process connection (code RA); see <a href="#">Table 2 on page 12</a> . As an alternative to a vented flange, it is possible to use a flushing connection ring on top of the standard nozzle.



<p>Probe Versions</p>	<p>Coaxial, Rigid Twin and Rigid Single Lead, Flexible Twin and Flexible Single Lead.</p> <p>For guidelines on which probe to select depending on application, see the <a href="#">Technical Note Guided Wave Radar Application Guidelines</a> (document number 00840-2600-4811).</p> <p>For interface measurements, Rigid Single probe is the best choice for chamber mounting. The Twin or Coaxial probe is the preferred choice for clean, low dielectric constant liquids.</p>
<p>Material Exposed To Tank Atmosphere</p>	<p>Material model code 1: 316L SST (EN 1.4404), PTFE, PFA, and O-ring materials                  Material model code 2: Alloy C-276 (UNS N10276), PTFE, PFA, and O-ring materials                  Material model code 3: Alloy 400 (UNS N04400), PTFE, PFA, and O-ring materials                  Material model code 7: PTFE (1 mm PTFE cover)                  Material model code 8: PTFE, 316 L SST (EN 1.4404), and O-ring materials</p>
<p>Pressure Equipment Directive (PED)</p>	<p>Complies with 97/23/EC article 3.3</p>
<p>Total Probe Length</p>	<p>This is defined from the upper reference point to the end of the probe (weight included, if applicable).</p>  <p>Select the probe length according to the required measuring range (the probe must be hung and fully extended through the entire distance where level readings are desired).</p>
<p>Cut-to-fit probes</p>	<p>Most of the probes can be cut in field. However, there are some restrictions for the standard coaxial probes: these can be cut up to 2 ft. (0.6 m). Probes shorter than 4.1 ft. (1.25 m) can be cut to the minimum length of 1.3 ft. (0.4 m). The PTFE covered probes cannot be cut in the field.</p>
<p>Minimum and Maximum Probe Length</p>	<p>Coaxial: 1.3 ft (0.4 m) to 19.7 ft (6 m)                  Rigid Twin Lead: 1.3 ft (0.4 m) to 9.8 ft (3 m)                  Flexible Twin Lead: 3.3 ft (1 m) to 77.1 ft (23.5 m)                  Rigid Single Lead (0.3 in./8 mm): 1.3 ft (0.4 m) to 9.8 ft (3 m)                  Rigid Single Lead (0.5 in./13 mm): 1.3 ft (0.4 m) to 19.7 ft (6.0 m)                  Segmented Rigid Single Lead (0.5 in./13 mm): 1.3 ft (0.4 m) to 19.7 ft (6.0 m)                  Flexible Single Lead: 3.3 ft (1 m) to 77.1 ft (23.5 m)</p>
<p>Probe Angle</p>	<p>0 to 90 degrees from vertical axis</p>
<p>Tensile Strength</p>	<p>Flexible Single Lead probe: 2698 lb (12 kN)                  Flexible Twin Lead probe: 2023 lb (9 kN)</p>
<p>Collapse Load</p>	<p>Flexible Single Lead probe: 3597 lb (16 kN)</p>
<p>Sideway Capacity</p>	<p>Coaxial probe: 73.7 ft. lbf, 3.7 lb at 19.7 ft. (100 Nm, 1.67 kg at 6 m)                  Rigid Twin Lead: 2.2 ft. lbf, 0.22 lb at 9.8 ft. (3 Nm, 0.1 kg at 3 m)                  Rigid Single Lead/Segmented Rigid Single Lead: 4.4 ft. lbf, 0.44 lb at 9.8 ft. (6 Nm, 0.2 kg at 3 m)</p>
<p>Maximum Recommended Nozzle Height</p>	<p>4 in. (10 cm) + nozzle diameter                  For coaxial probes, there are no restrictions</p>

<p>Minimum Clearance (See Table 9 on page 29)</p>	 <p>Make sure the nozzle does not extend into the tank.</p>
<p>Other Mechanical Considerations</p>	<p>To get best possible performance, the following must be considered before installing the transmitter:</p> <ul style="list-style-type: none"> <li>■ Inlets should be kept at a distance in order to avoid product filling on the probe</li> <li>■ Avoid physical contact between probes and agitators, as well as applications with strong fluid movement unless the probe is anchored</li> <li>■ Probe tie-down is recommended if the probe can move to within 1 ft. (30 cm) of any object during operations</li> <li>■ In order to stabilize the probe for side forces, it is possible to fix or guide the probe to the tank bottom</li> <li>■ For optimal single lead probe performance in non-metallic vessels, the probe must either be mounted with a 2-in. / DN 50 or larger metallic flange, or a metal sheet with an 8-in. diameter (200 mm) or larger must be used</li> </ul> <p>See the <a href="#">Rosemount 3300 Series Reference Manual</a> (document number 00809-0100-4811) for more mechanical installation information.</p>  <p>Flexible single lead probe with chuck. See the Reference Manual for more anchoring options.</p>
<p>Weight</p>	<p>Flange: depends on flange size          Coaxial probe: 0.67 lb/ft. (1 kg/m)          Rigid Single Lead probe (0.3 in./8 mm): 0.27 lb/ft. (0.4 kg/m)          Rigid Single Lead probe (0.5 in./13 mm): 0.71 lb/ft. (1.06 kg/m)          Segmented Rigid Single Lead probe (0.5 in./13 mm): 0.71 lb/ft (1.06 kg/m)          Rigid Twin Lead probe: 0.40 lb/ft. (0.6 kg/m)          Flexible Single Lead probe: 0.05 lb/ft. (0.07 kg/m)          Flexible Twin Lead probe: 0.09 lb/ft. (0.14 kg/m)          End weight: 0.88 lb (0.40 kg) for single probes, 1.3 lb (0.60 kg) for twin probes</p>

Engineered solutions	
Rxxx	<p>When standard model codes are not sufficient to fulfill requirements, please consult the factory to explore possible Engineered Solutions. This is typically, but not exclusively, related to the choice of wetted materials or the design of a process connection. These Engineered Solutions are part of the expanded offerings and may be subject to additional delivery lead time. For ordering, factory will supply a special R-labeled numeric option code that should be added at the end of the standard model string. See example model string below.</p> <p>Example Model String: 3301-H-A-1-S-1-V-5A-E-33-00-RC-I5-M1W3C1-<b>R1234</b></p>
Chamber / pipe installations	
Rosemount 9901 Chamber	<p>Rosemount 9901 allows external mounting of process level instrumentation. It supports a variety of process connections, and optional drain and vent connections. The Rosemount 9901 chamber is designed to the ASME B31.3 standard, and is Pressure Equipment Directive (PED) compliant. Use option code XC to order together with the 3300 Series transmitters.</p> <p>The probe length to use for a Rosemount 9901 chamber can be calculated with this formula:  <b>Side-and-side dimension:</b>                      Probe length=Centre-to-centre dimension+19 in. (48 cm)  <b>Side-and-bottom dimension:</b>                      Probe length=Centre-to-centre dimension+4 in. (10 cm)</p> <p>Use a centering disc the same diameter as the chamber if the probe length &gt;3.3 ft. (1 m). See <a href="#">“Probe Type in Chamber Considerations” on page 28</a> and <a href="#">“Centering Discs” on page 28</a> for which probe and disc to use.</p> <div style="display: flex; justify-content: space-around;"> <div style="text-align: center;"> <p>Side-and-side dimension</p> </div> <div style="text-align: center;"> <p>Side-and-bottom dimension</p> </div> </div> <p>For additional information, see the <a href="#">Rosemount 9901 Chamber for Process Level Instrumentation Product Data Sheet</a> (document number 00813-0100-4601).</p>
Existing Chamber	<p>A Rosemount 3300 Series transmitter is the perfect replacement in an existing displacer chamber. Proprietary flanges are offered, enabling use of existing chambers to make installation easy. Considerations when changing to 3300:                      The 3300 series flange choice and probe length must be correctly matched to the chamber. Both standard ANSI and EN (DIN), as well as proprietary chamber flanges, are available. See <a href="#">“Proprietary Flanges” on page 42</a> to identify the proprietary flanges.</p> <p>See <a href="#">“Probe Type in Chamber Considerations” on page 28</a> and <a href="#">“Centering Discs” on page 28</a> for which probe and disc to use. See <a href="#">Table 10 on page 29</a> for guidelines on the required probe length.</p> <div style="display: flex; justify-content: center;"> </div> <p>For additional information, see the <a href="#">Replacing Displacers with Guided Wave Radar Technical Note</a> (document number 00840-2200-4811).</p>

<p>Probe Type in Chamber Considerations</p>	<p>When installing a Rosemount 3300 in a chamber, the single lead probe is recommended.</p>
	<p>The recommended minimum chamber diameter is 4 in. (100 mm) for Single Flexible probe and 3 in. (75 mm) for the Single Rigid probe. The probe should be centered to prevent it touching the sides of the well.</p>
	<p>The probe length determines if a Single Rigid or Single Flexible probe should be used:</p> <ul style="list-style-type: none"> <li>■ Less than 19.7 ft. (6.0 m): Rigid Single Probe is recommended. Use a centering disc for probe &gt; 3.3 ft. (1 m). If installation requires less head-space, use a Flexible Single Probe with a weight and centering disc.</li> <li>■ More than 19.7 ft. (6.0 m): Use Flexible Single Probe with a weight and centering disc.</li> </ul>
	<p>A short weight is available for the single flexible SST probe. It is used for measuring close to the probe end and shall be used where the measuring range must be maximized. The height is 2 in. (50 mm) and the diameter is 1.5 in. (37.5 mm). The option code is W2.</p> <p>If a heavier weight is needed, option code W3 can be used. The height is 5.5 in. (140 mm) and the diameter is 1.5 in. (37.5 mm).</p>
<p>Centering Discs</p>	<p>To prevent the probe from contacting the chamber or pipe wall, centering discs are available for rigid single, flexible single, and flexible twin lead probes. The disc is attached to the end of the probe. Discs are made of stainless steel, Alloy C-276, Alloy 400, or PTFE.</p> <p>For the segmented rigid single lead probe, up to five PTFE centering discs can be mounted along the probe, but keep a minimum distance of two segments between the discs. Additionally, a disc in SST or PTFE (part number 03300-1655-xxxx) can be attached to the end of the probe.</p> <p>When mounting a centering disc, it is important that it fits correctly in the chamber/pipe. See <a href="#">Table 11</a> for Dimension D. <a href="#">Table 12</a> shows which centering disc diameter to choose for a particular pipe.</p> 

**Table 9. Minimum Clearance**

	Coaxial	Rigid twin lead	Flexible twin lead	Rigid single lead/ Segmented rigid single lead	Flexible single lead
<b>Recommended nozzle diameter</b>	Enough space to fit the probe <sup>(1)</sup>	4 in. (10 cm) or more	4 in. (10 cm) or more	6 in. (15 cm) or more	6 in. (15 cm) or more
<b>Min. nozzle diameter<sup>(2)</sup></b>	Enough space to fit the probe <sup>(1)</sup>	2 in. (5 cm)	2 in. (5 cm)	2 in. (5 cm)	2 in. (5 cm)
<b>Min. clearance to tank wall or obstruction<sup>(3)</sup></b>	0 in. (0 cm)	4 in. (10 cm)	4 in. (10 cm)	4 in. (10 cm) if smooth metallic wall. 12 in. (30 cm) if disturbing objects, rugged metallic or concrete/plastic wall.	4 in. (10 cm) if smooth metallic wall. 12 in. (30 cm) if disturbing objects, rugged metallic or concrete/plastic wall.
<b>Min. pipe/bypass diameter</b>	1.5 in. (3.8 cm)	2 in. (5 cm) <sup>(4)</sup>	Consult your local Emerson Process Management representative.	2 in. (5 cm) <sup>(5)</sup>	Consult your local Emerson Process Management representative.

- (1) Probe diameter is 1.1 in. (28 mm) for standard probe.
- (2) Requires special configuration and setting of Upper Null Zone.
- (3) Minimum clearance from tank bottom for the coaxial and rigid single probes is 0.2 in. (5 mm).
- (4) The center-most lead must be at least 0.6 in. (15 mm) away from the pipe/bypass wall.
- (5) The probe must be centered in the pipe/bypass. A centering disc (see “Centering Discs” on page 28 and “Sx and Px - centering discs” on page 9) can be used to prevent the probe from contacting the chamber wall.

**Table 10. Required Probe Length in Chambers**

Chamber manufacturer	Probe length <sup>(1)</sup>
Major torque-tube manufacture (249B, 249C, 2449K, 249N, 259B)	Displacer + 9 in. (229 mm)
Masoneilan (Torque tube operated), proprietary flange	Displacer + 8 in. (203 mm)
Other - torque tube <sup>(2)</sup>	Displacer + 8 in. (203 mm)
Magnetrol (spring operated) <sup>(3)</sup>	Displacer + between 7.8 in. (195 mm) to 15 in. (383 mm)
Others - spring operated <sup>(2)</sup>	Displacer + 19.7 in. (500 mm)

- (1) If flushing ring is used, add the ring height to the probe length.
- (2) For other manufacturers, there are small variations. This is an approximate value, actual length should be verified.
- (3) Lengths vary depending on model, SG and rating, and should be verified.

**Table 11. Centering Discs Dimensions**

Disc size	Actual disc diameter
2 in.	1.8 in. (45 mm)
3 in.	2.7 in. (68 mm)
4 in.	3.6 in. (92 mm)
6 in.	5.55 in. (141 mm)
8 in.	7.40 in. (188 mm)

**Table 12. Centering Disc Size Recommendation for Different Pipe Schedules**

Pipe size	Pipe schedule					
	5s, 5	10s, 10	40s, 40	80s, 80	120	160
2 in.	2 in.	2 in.	2 in.	2 in.	N/A <sup>(1)</sup>	N/A <sup>(2)</sup>
3 in.	3 in.	3 in.	3 in.	3 in.	N/A <sup>(1)</sup>	2 in.
4 in.	4 in.	4 in.	4 in.	4 in.	4 in.	3 in.
5 in.	4 in.	4 in.	4 in.	4 in.	4 in.	4 in.
6 in.	6 in.	6 in.	6 in.	6 in.	4 in.	4 in.
7 in.	N/A <sup>(1)</sup>	N/A <sup>(1)</sup>	6 in.	6 in.	N/A <sup>(1)</sup>	N/A <sup>(1)</sup>
8 in.	8 in.	8 in.	8 in.	8 in.	6 in.	6 in.

(1) Schedule is not available for pipe size.

(2) No centering disc is available.

# Product Certifications

## Safety note

A safety isolator such as a zener barrier is always needed for intrinsic safety.

Probes covered with plastic and/or with plastic discs may generate an ignition-capable level of electrostatic charge under certain extreme conditions. Therefore, when the probe is used in a potentially explosive atmosphere, appropriate measures must be taken to prevent electrostatic discharge.

## EU Conformity

The most recent revision of the EC declaration of conformity can be found at [www.rosemount.com](http://www.rosemount.com).

## Hazardous locations certifications

### North-American certifications

#### Factory Mutual (FM) Approval

Project ID: 3013394

**E5** Explosion-proof for use in Class I, Div. 1, Groups B, C, and D;  
Dust-ignition-proof for use in Class II/III, Div. 1, Groups E, F, and G;  
With Intrinsically Safe connections to Class I, II, III, Div. 1, Groups A, B, C, D, E, F, and G.  
Temperature Class T5 @ +85 °C.  
Ambient temperature limits -50 °C to +85 °C.  
Approval valid for HART and Modbus options.

**I5** Intrinsically Safe for Class I, II, III, Div. 1, Groups A, B, C, D, E, F, and G,  
Class I, Zone 0, AEx ia IIC T4 Ta=70 °C.  
Temp code T4 at 70 °C max ambient.  
Installation Drawing: 9150077-944.  
Non-Incendive Class I, Div. 2, Groups A, B, C, and D;  
Suitable for Class II, III, Div. 2, Groups F and G.  
Non-incendive maximum operating parameters: 42 V, 25 mA.  
Temp code T4A at 70 °C max ambient.  
Approval valid for HART option.

#### Canadian Standards Association (CSA) Approval

Certificate: 1250250.

**E6** Explosion-proof: Class I, Div. 1, Groups C and D.  
Dust Ignition Proof:  
Class II, Div. 1 and 2, Groups G and coal dust.  
Class III, Div. 1, Haz. Loc.  
[Ex ia IIC T6].  
Ambient temperature limits -50 °C to +85 °C.  
Approval valid for Modbus and HART option.

**I6** Intrinsically Safe: Ex ia IIC T4,  
Class I, Div. 1, Groups A, B, C, and D.  
Temp code T4.  
Installation Drawing: 9150077-945.  
Non-Incendive: Class III, Div. 1, Haz. Loc.  
Class I, Div 2, Groups A, B, C, and D.  
Ambient temperature limits -50 °C to +70 °C.  
Approval valid for HART option.

## European certifications

### ATEX Approval

**E1** Flameproof:  
Certificate: KEMA 01ATEX2220X  
CE 0575  
II 1/2 G Ex d [ia Ga] IIC T6...T1 Ga/Gb  
II 1/2 D Ex tb [ia Da] IIIC T85 °C...T450 °C Da/Db<sup>(1)</sup> or  
II -/2 D Ex tb IIIC T85 °C...T135 °C -/Db  
U<sub>m</sub> = 250 V  
Ambient temperature range: -50 °C<sup>(2)</sup> to +75 °C  
Approval valid for HART and Modbus options.

**Table 13. Process Temperature Limits**

Maximum ambient temperature (°C)	Maximum process temperature (°C)	Temperature class/ maximum surface temperature
+75	+75	T6 / T 85 °C
+75	+90	T5 / T 100 °C
+75	+125	T4 / T 135 °C
+75	+190	T3 / T 200 °C
+65	+285	T2 / T 300 °C
+55	+400	T1 / T 450 °C

### Special Conditions for Safe Use (X):

- On application of the transmitter with plastic covered probes, in an explosive gas atmosphere, precaution shall be taken to avoid danger of ignition due to electrostatic charges on the probe.
- On application of the transmitter in an explosive dust atmosphere, the transmitter shall be installed in such a way that the risk from electrostatic discharges and propagating brush discharges caused by rapid flow of dust at the label is avoided.
- For probes and flanges containing light metals, an ignition hazard due to impact or friction needs to be avoided according to IEC 60079-0 clause 8.3, when used as EPL Ga/Gb equipment.

(1) Non-plastic covered probes only

(2) -40 °C for process temperature range -196 °C to -50 °C

**I1** Intrinsic Safety:

Certificate: BAS02ATEX1163X

CE 0575



II 1 G Ex ia IIC T4 Ga (-50 °C ≤ Ta ≤ +70 °C).

U<sub>i</sub>=30 V, I<sub>i</sub>=130 mA, P<sub>i</sub>=1.0 W, L<sub>i</sub>=C<sub>i</sub>=0.

Ambient temperature limit: -50 °C ≤ Ta ≤ +70 °C

Functional voltage range: 11-42 Vdc

Intrinsically safe version: 11-30 Vdc

Approval valid for HART option.

**Special Conditions for Safe Use (X):**

1. The apparatus is not capable of withstanding the 500 V test as defined in clause 6.3.13 of EN60079-11:2012. This must be considered in any installation.
2. The Series 3300 enclosure is made of aluminium alloy and given a protective polyurethane paint finish; however, care should be taken to protect it from impact or abrasion if located in zone 0.
3. The probes may contain plastic materials greater than 4cm<sup>2</sup> or be coated with plastic and these can present an electrostatic risk if rubbed or placed in a fast moving air flow.
4. The probes may contain light alloys which can present a risk from frictional ignitions. Care should be taken to protect them from mechanical impact during use or installation.

**N1** Type N Approvals: Non-Sparking / Intrinsic safety

Certificate: Baseefa12ATEX0089X

CE 0575



ic nA IIC T4 Gc (-50 °C ≤ Ta ≤ +70 °C)

U<sub>N</sub>=42.4 V

Approval valid for HART option.

**Special Conditions for Safe Use (X):**

1. The apparatus is not capable of withstanding the 500V test as defined in Clause 6.3.13 of EN60079-11:2012. This must be considered in any installation.
2. The Series 3300 enclosure is made of aluminium alloy and given a protective polyurethane paint finish; however, care should be taken to protect it from impact or abrasion.
3. The Probes may contain light alloys which can present a risk from frictional ignitions. Care should be taken to protect them from mechanical impact during use or installation.
4. The Probes may contain plastic materials greater than 4cm<sup>2</sup> or be coated with plastic and these can present an electrostatic risk if rubbed or placed in a fast moving air flow.
5. The cable entry must use a suitable Certified Cable Gland which provides strain relief and any unused openings to the equipment must be blanked off to maintain a degree of protection of at least IP66.

**EAC certifications****Technical Regulations Customs Union (EAC)****EM, IM:** Contact an Emerson Process Management representative for additional information.**Chinese certifications****National Supervision and Inspection Center for Explosion Protection and Safety of Instrumentation (NEPSI) Approvals**

- E3** Flameproof: GYJ12.1037X  
Ex d ia IIC T6~T4 Gb, DIP A21 TA85 °C~TA135 °C IP66  
U<sub>m</sub>=250 V  
Approval valid for HART and Modbus options.
- I3** Intrinsically Safe: GYJ11.1537X  
Ex ia IIC T4 (-50 °C ≤ Ta ≤ +70 °C).  
U<sub>i</sub>=30 Vdc, I<sub>i</sub>=130 mA, P<sub>i</sub>=1.0 W, C<sub>i</sub>=0 nF, L<sub>i</sub>=0 H.  
Approval valid for HART option.

**Special Conditions for Safe Use (X):**

Refer to Certificates GYJ11.1537X and GYJ12.1037X.

**Japanese certifications****Technology Institution of Industrial Safety (TIIS) Approval**

- E4** Flameproof with Intrinsically Safe probe: TC18544,  
TC18545  
Transmitter: Ex d [ia] IIB T6 (T<sub>a, max</sub> = 60 °C)  
U<sub>m</sub>=250 V  
Probe: Ex ia IIB T6  
U<sub>o</sub>=25.2 V, I<sub>o</sub>=159 mA, P<sub>o</sub>=1.0 W  
Approval valid for HART option.  
Installation drawing: 03300-00408.

**Special Conditions for Safe Use (X):**

See certificate for details.



## IECEX certifications

### IECEX approvals

**E7** Flameproof:  
 Certificate: IECEx DEK 12.0015X  
 Ex d [ia Ga] IIC T6...T1 Ga/Gb  
 Ex tb [ia Da] IIIC T85 °C...T450 °C Da/Db<sup>(1)</sup> or  
 Ex tb IIIC T85 °C...T135 °C -/Db  
 Approval valid for HART and Modbus options.  
 The process temperature effects shall be taken into account, see E1 approval.

Standards:  
 IEC 60079-0:2011, IEC 60079 -1:2007,  
 IEC 60079-11:2011, IEC 60079-26:2006,  
 IEC 60079-31:2008

### Conditions of Certification (X):

1. On application of the transmitter with plastic covered probes, in an explosive gas atmosphere, precaution shall be taken to avoid danger of ignition due to electrostatic charges on the probe.
2. On application of the transmitter in an explosive dust atmosphere, the transmitter shall be installed in such a way that the risk from electrostatic discharges and propagating brush discharges caused by rapid flow of dust at the label is avoided.
3. For probes and flanges containing light metals, an ignition hazard due to impact or friction needs to be avoided according to IEC 60079-0 clause 8.3, when used as EPL Ga/Gb equipment.

**I7** Intrinsic Safety:  
 Certificate: IECEx BAS 12.0062X  
 Ex ia IIC T4 (Ta = 60 °C) IP66  
 U<sub>i</sub> = 30 V, I<sub>i</sub> = 130 mA, P<sub>i</sub> = 1 W, C<sub>i</sub> = 0 nF, L<sub>i</sub> = 0 mH  
 Approval valid for HART option.

### Conditions of Certification (X):

1. The apparatus is not capable of withstanding the 500V test as defined in Clause 6.3.13 of EN60079-11:2012. This must be considered in any installation.
2. The Series 3300 enclosure is made of aluminium alloy and given a protective polyurethane paint finish; however, care should be taken to protect it from impact or abrasion if located in zone 0.
3. The probes may contain plastic materials greater than 4cm<sup>2</sup> or be coated with plastic and these can present an electrostatic risk if rubbed or placed in a fast moving air flow.
4. The probes may contain light alloys which can present a risk from frictional ignitions. Care should be taken to protect them from mechanical impact during use or installation.

**N7** Type N Approvals: Non-Sparking / Intrinsic safety  
 Certificate: IECEx BAS 12.0061X  
 Ex ic nA IIC T4 Gc (-50 °C ≤ Ta ≤ +70 °C)

Standards:  
 IEC 60079-0:2011, IEC 60079-11:2001,  
 IEC 60079-31:2008, IEC 60079 -1:2007,  
 IEC 60079-26:2006

### Conditions of Certification (X):

1. The apparatus is not capable of withstanding the 500V test as defined in Clause 6.3.13 of EN60079-11:2012. This must be considered in any installation.
2. The Series 3300 enclosure is made of aluminium alloy and given a protective polyurethane paint finish; however, care should be taken to protect it from impact or abrasion.
3. The Probes may contain light alloys which can present a risk from frictional ignitions. Care should be taken to protect them from mechanical impact during use or installation.
4. The Probes may contain plastic materials greater than 4cm<sup>2</sup> or be coated with plastic and these can present an electrostatic risk if rubbed or placed in a fast moving air flow.
5. The cable entry must use a suitable Certified Cable Gland which provides strain relief and any unused openings to the equipment must be blanked off to maintain a degree of protection of at least IP66.

## Other certifications

### Overfill protection

**U1** WHG Overfill Approval:  
 TÜV-tested and approved by DIBt for overfill protection according to the German WHG regulations  
 Certificate: Z-65.16-416  
 Available for HART option.

For information on hazardous locations installations, refer to the [Rosemount 3300 Series Reference Manual](#) (document number 00809-0100-4811).

(1) Non-plastic covered probes only

# Dimensional Drawings

Figure 1. Rigid Single Lead

Dimensions are in inches (millimeters).

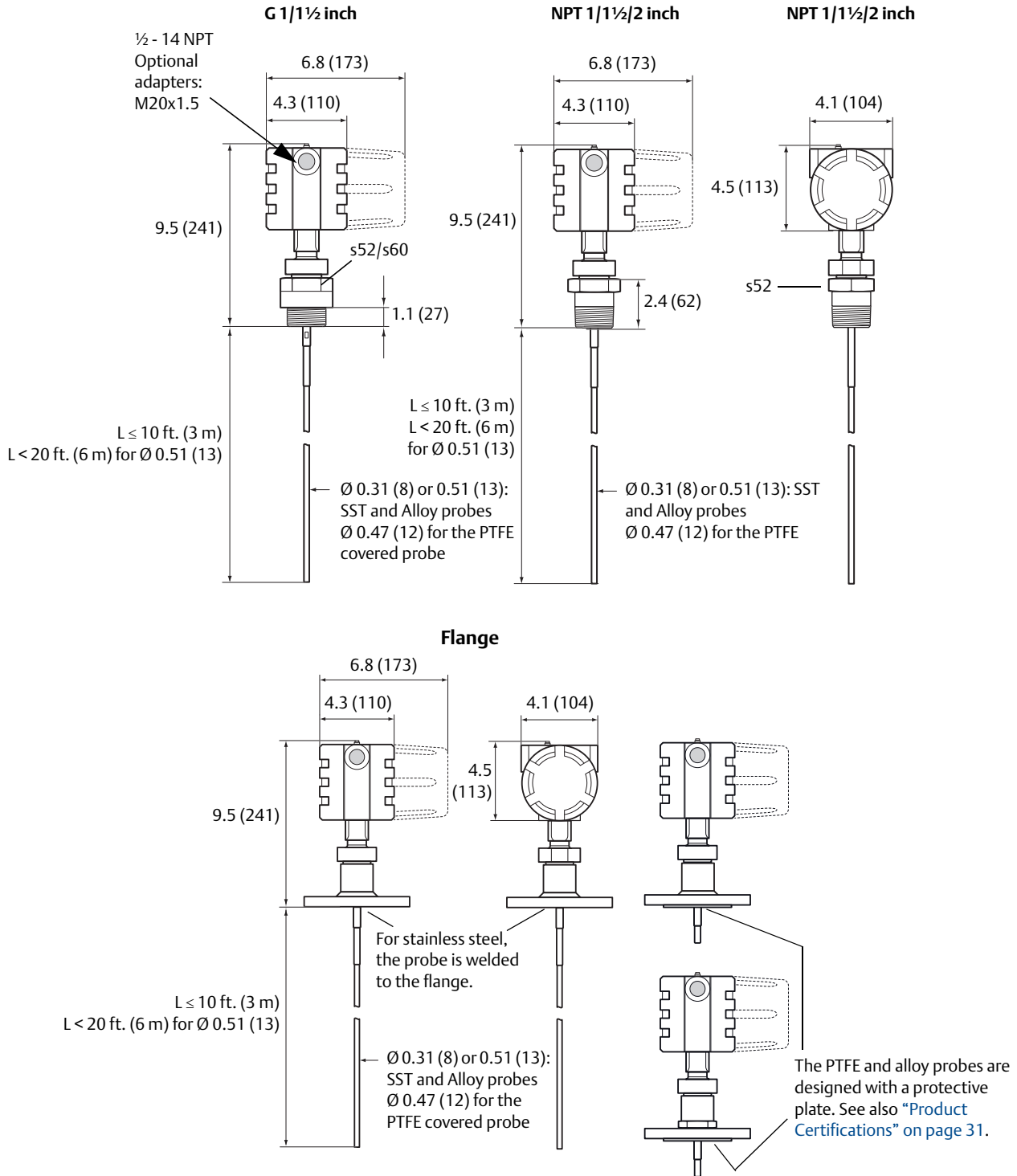


Figure 2. Segmented Rigid Single Lead with Threaded Connection

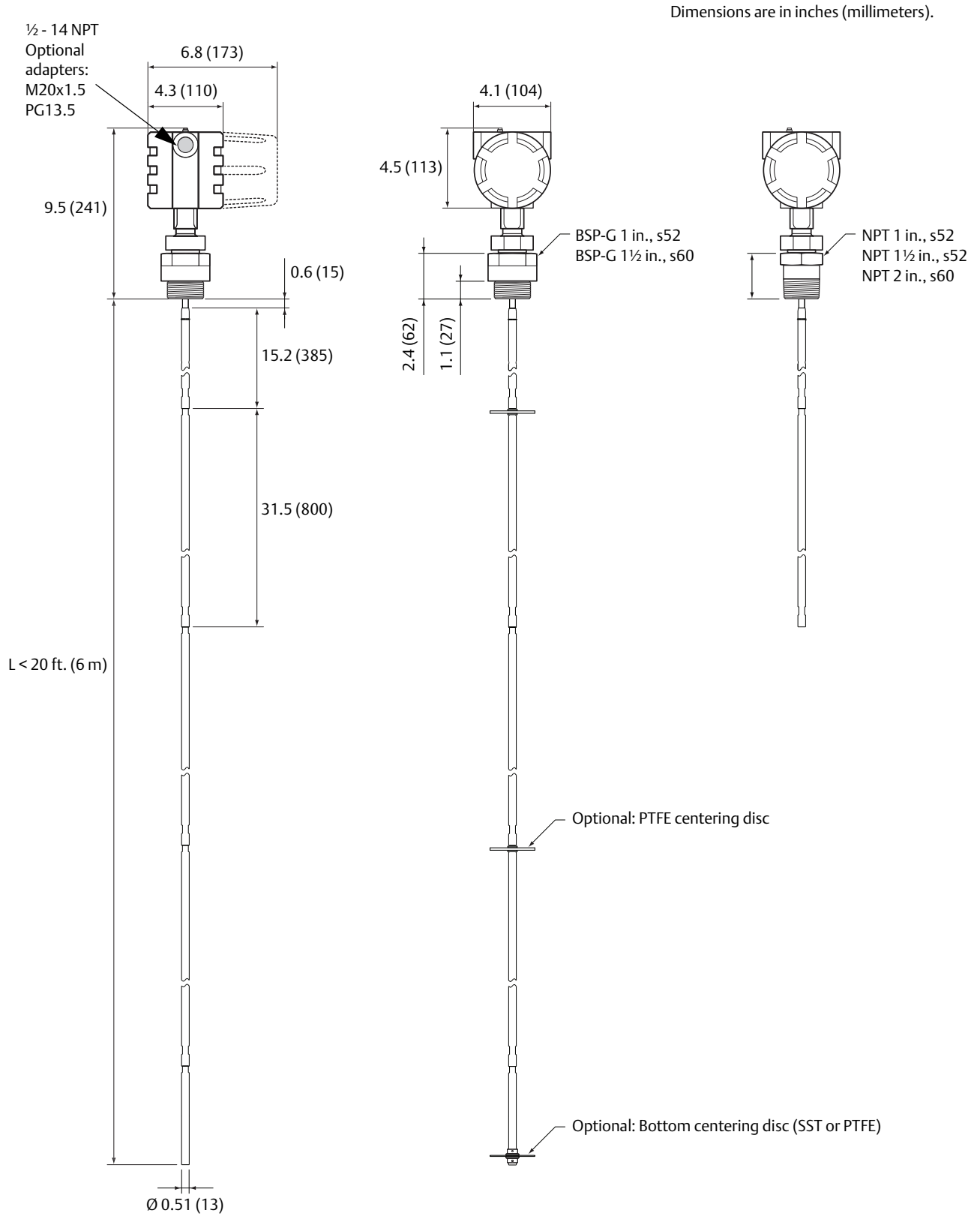


Figure 3. Segmented Rigid Single Lead with Flange Connection

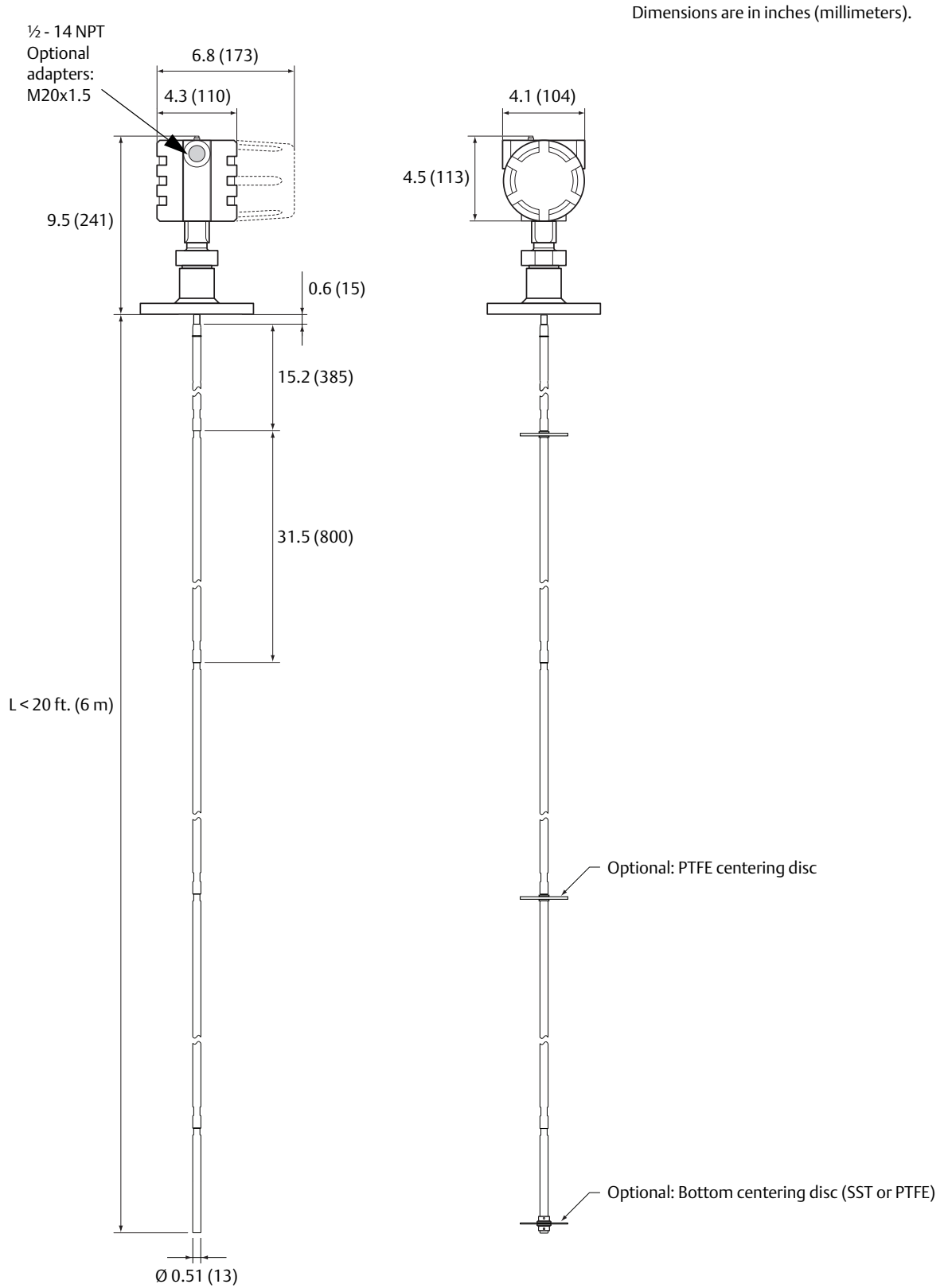


Figure 4. Flexible Single Lead

Dimensions are in inches (millimeters).

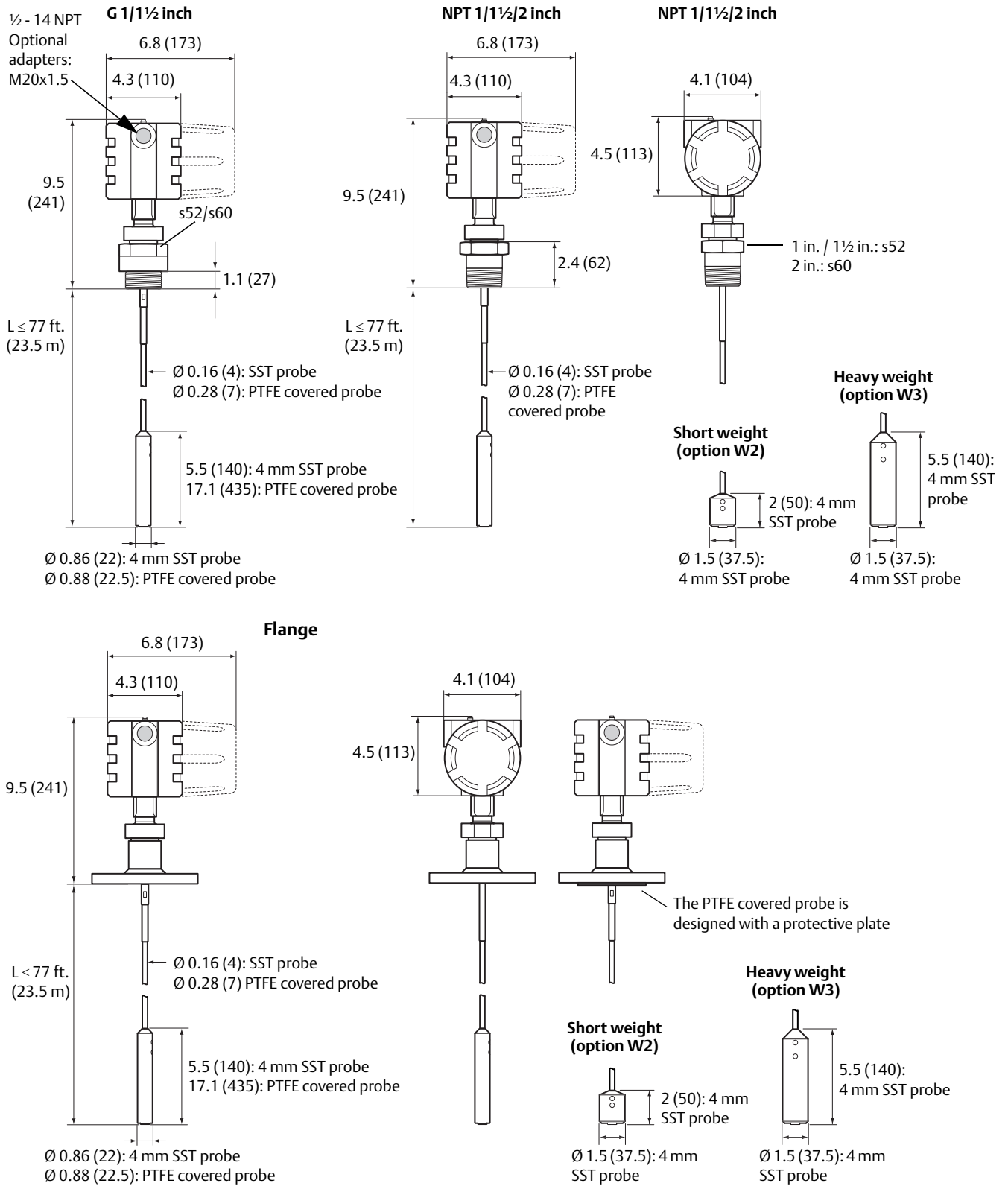
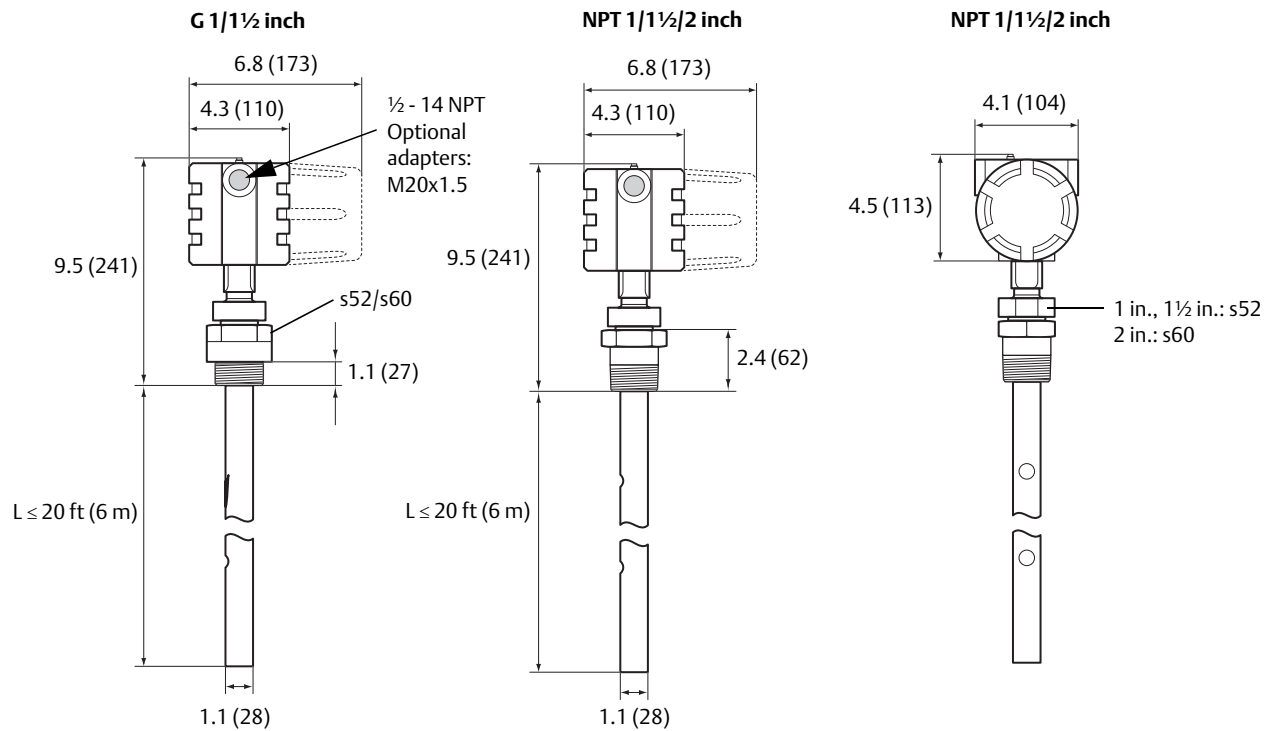


Figure 5. Coaxial

Dimensions are in inches (millimeters).



**Flange**

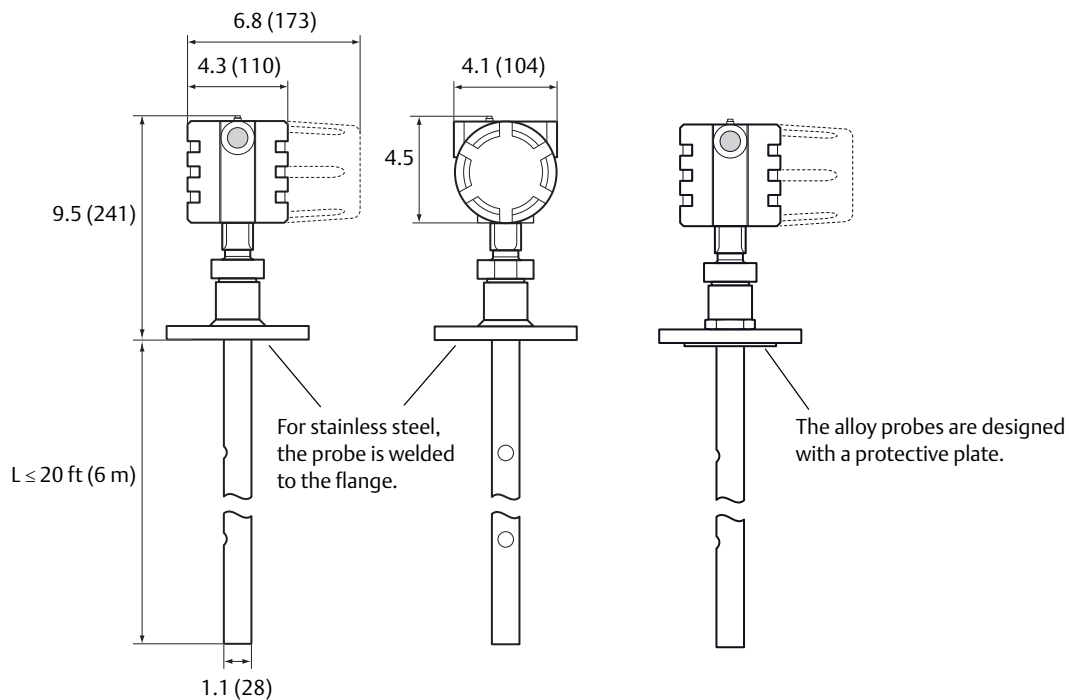


Figure 6. Rigid Twin Lead

Dimensions are in inches (millimeters).

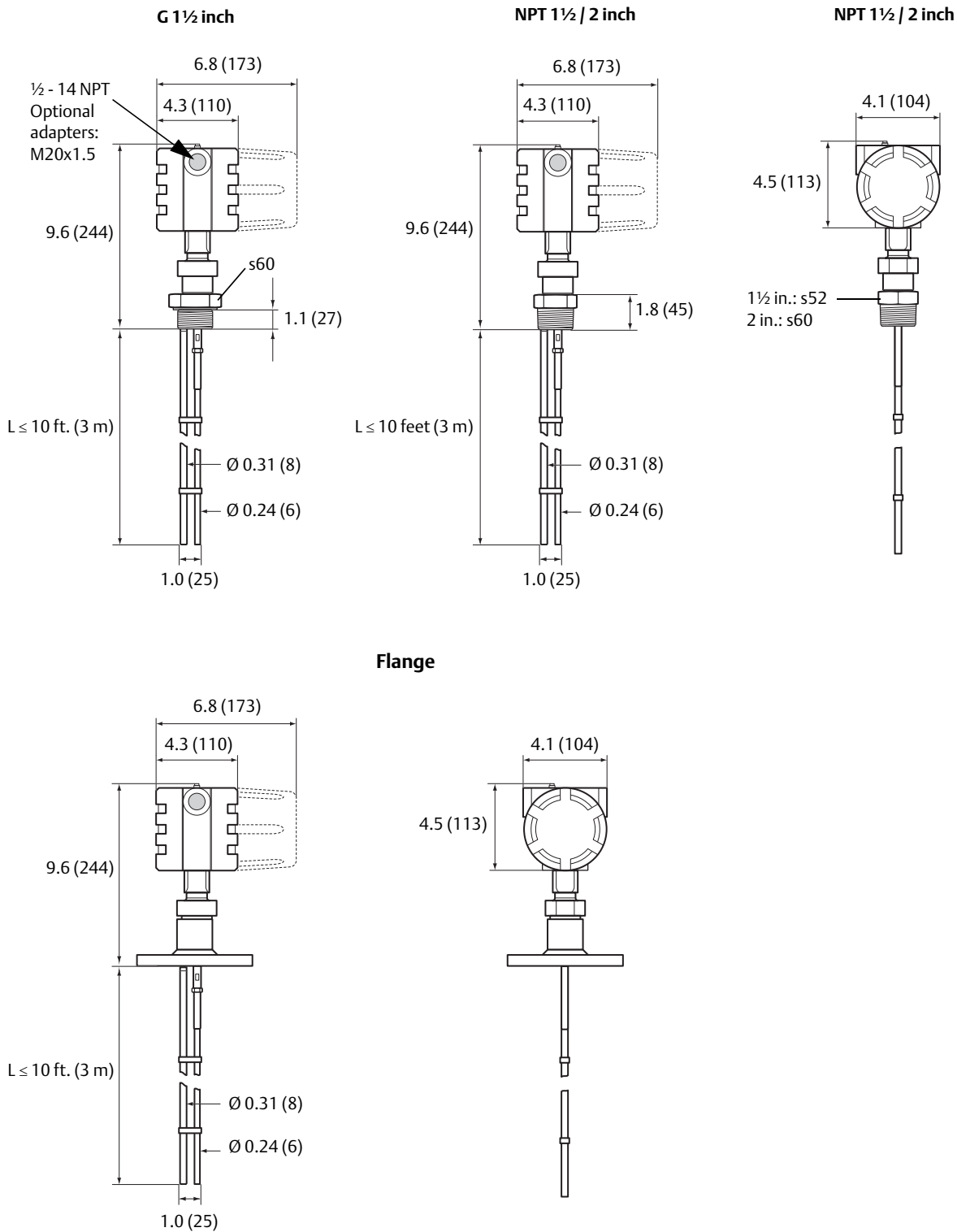


Figure 7. Flexible Twin Lead

Dimensions are in inches (millimeters).

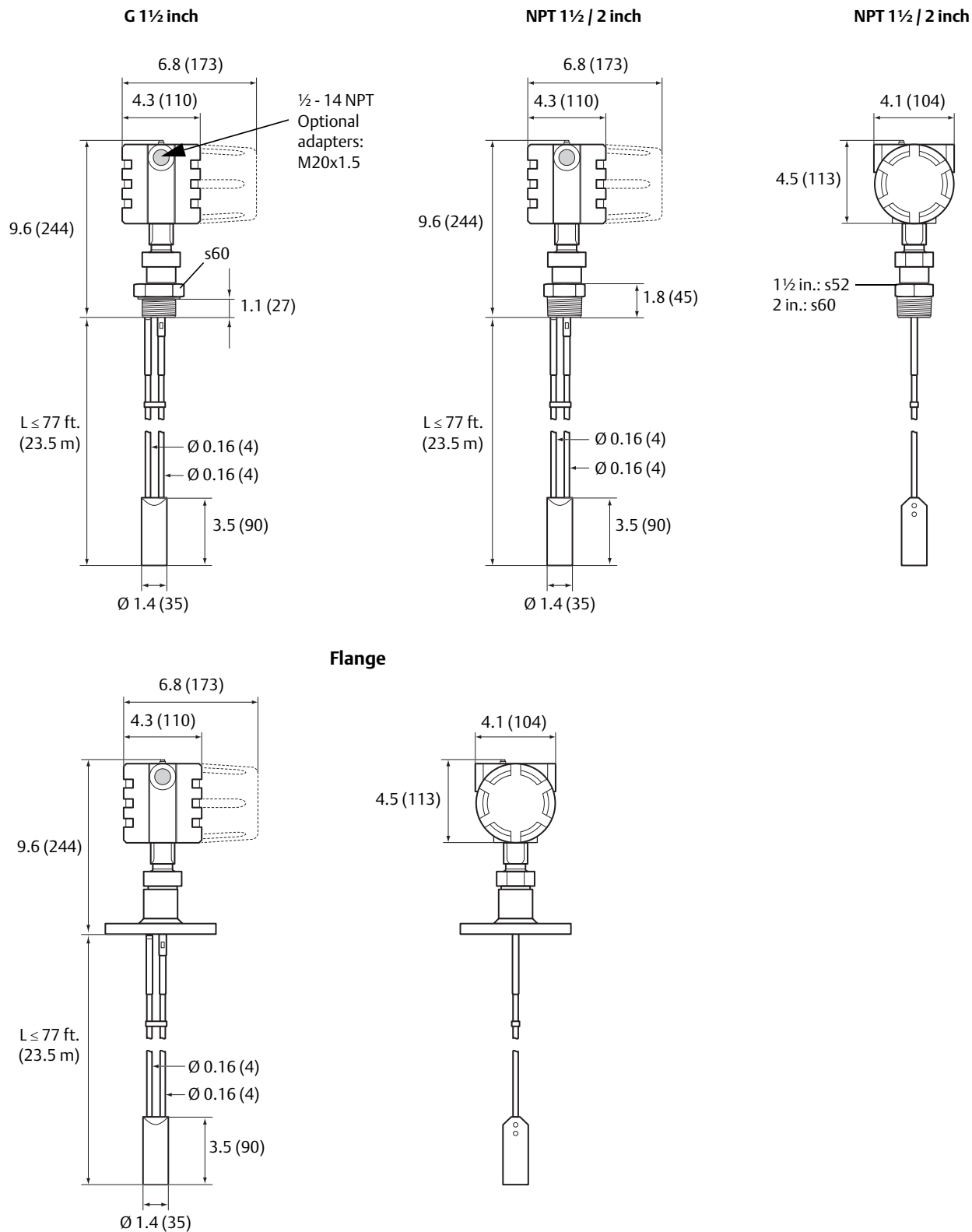
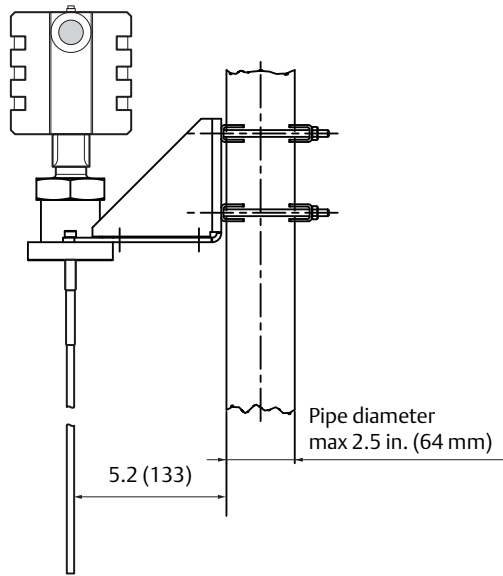


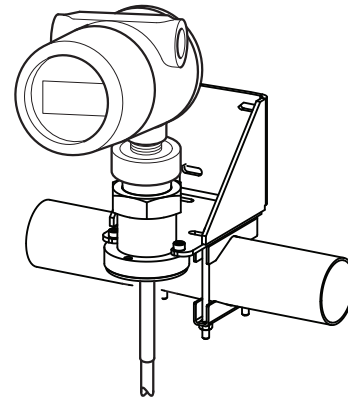


Figure 8. Bracket mounting

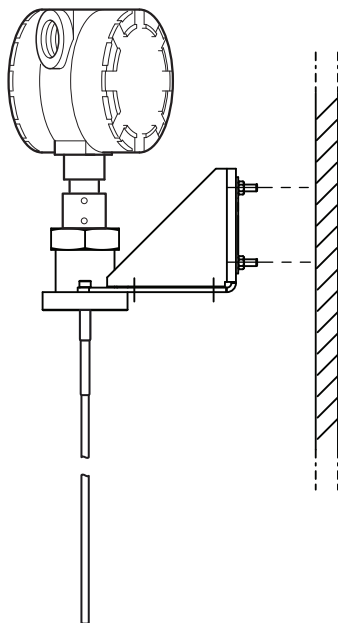
Dimensions are in inches (millimeters).



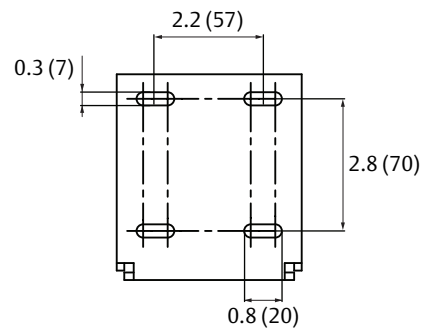
Pipe mounting  
(vertical pipe)



Pipe mounting  
(horizontal pipe)



Wall mounting



Hole pattern  
wall mounting

Figure 9. Remote Housing

Dimensions are in inches (millimeters).

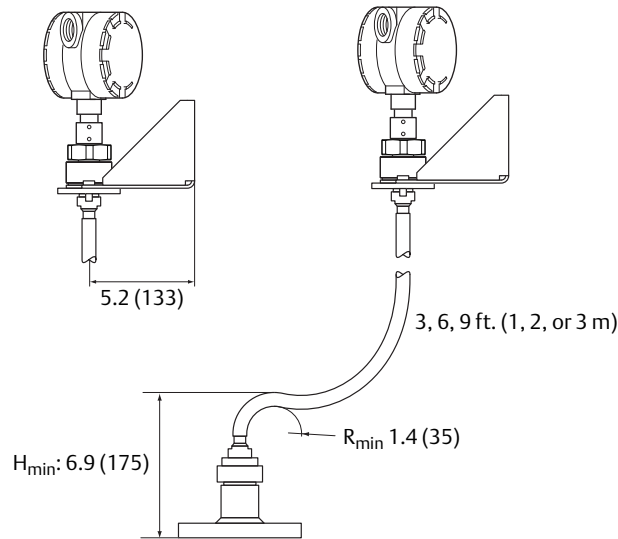
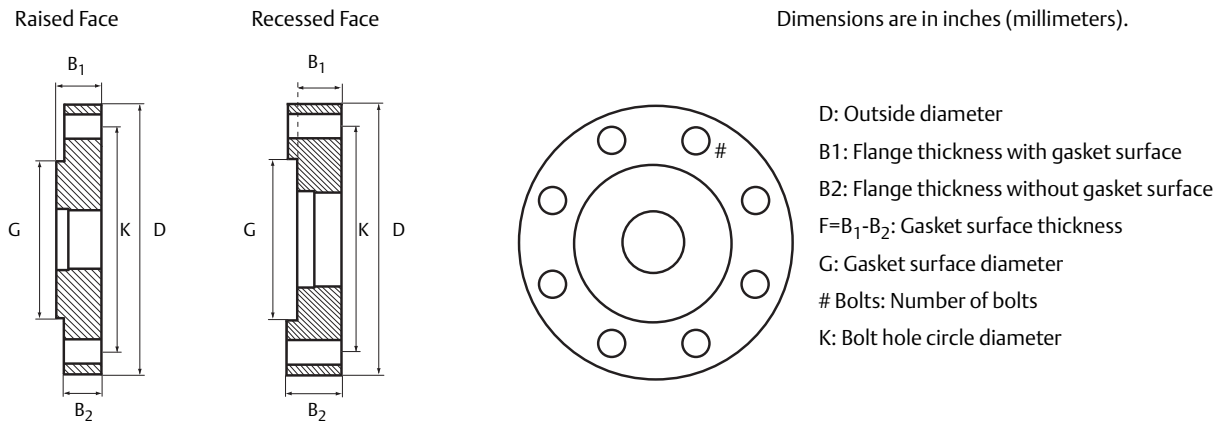


Figure 10. Proprietary Flanges

Dimensions are in inches (millimeters).



**Note**

Dimensions may be used to aid in the identification of installed flanges. It is not intended for manufacturing use.

Table 14. Dimensions of Proprietary Flanges

Special Flanges <sup>(1)</sup>	D	B <sub>1</sub>	B <sub>2</sub>	F	G	# Bolts	K
Fisher 249B/259B <sup>(2)</sup>	9.00 (228.6)	1.50 (38.2)	1.25 (31.8)	0.25 (6.4)	5.23 (132.8)	8	7.25 (184.2)
Fisher 249C <sup>(3)</sup>	5.69 (144.5)	0.94 (23.8)	1.13 (28.6)	-0.19 (-4.8)	3.37 (85.7)	8	4.75 (120.65)
Masoneilan <sup>(2)</sup>	7.51 (191.0)	1.54 (39.0)	1.30 (33.0)	0.24 (6.0)	4.02 (102.0)	8	5.87 (149.0)

(1) These flanges are also available in a vented version.

(2) Flange with raised face.

(3) Flange with recessed face.





**ZPA Nová Paka, a.s.**

Pražská 470

509 39 Nová Paka

Czech republic

tel.: + 420 493 761 234

fax: + 420 493 721 194

e-mail: [obchod@zpanp.cz](mailto:obchod@zpanp.cz)

[www.zpanp.cz](http://www.zpanp.cz)