



Resistance temperature sensor Ex d (Ex t, Ex i) to thermowell ČSN without converter or with converter type series 240 type 243

PRODUCT MANUAL

FOR DESIGNS WITH CONVERTER A MANUAL IS ENCLOSED TO THE RELEVANT CONVERTER
FOR DESIGN WITH CONVERTER AND DISPLAY A MANUAL IS ENCLOSED TO THE RELEVANT CONVERTER AND DISPLAY

APPLICATION

- For exact remote measurement of temperature of steady and running liquids (gases and fluids), for which the properties of the thermowell of the sensor selected by the customer are suitable; measurement may be realized up to temperature (max. 450°C) and pressure determined by thermowell resistance
- For environment with explosive gaseous atmosphere according to EN 60079-10-1 and explosive atmospheres with combustible dust according to EN 60079-10-2
 - o Sensor may be installed into the thermowell located in zone 0 (20), zone 1 (21) or zone 2 (22), the thermowell for zone 0 shall comply with the requirements of EN 60079-26 ed. 2 (refer to figure 2)
 - o Other parts of the sensor (screw joint, adapter, connecting head) may be located in zone 1 (21) or zone 2 (22)
 - o Sensor without converter or converter with Ex ia version, when connected to Ex ia circuit according to EN 60079-25 in zone 0, 1, 2, 20, 21 and 22
- In a set with control or diagnostic systems for process monitoring
- In design with converter for transfer of resistance sensor signal to unified output signal 4 to 20 mA or digital signal (converter with HART protocol)
- In design with display to display the value of the measured value
- For the environment, where mechanical resistance is required pursuant to EN 60068-2-6 (class AH2) and seismic capability of the electrical equipment of the safety system of the nuclear power stations pursuant to IEC 980 (MVZ level SL-2)
- special design for cryogenic environment with medium temperature up to -196 °C

The sensors with converter are rated products pursuant to the Directive 2014/34/EU, 2014/30/EU of the European Parliament and the Council and EU Declaration of Conformity **EU -243000** is issued for them.

For use temperature sensors as separate assemblies of the heat meter on placing on the market.

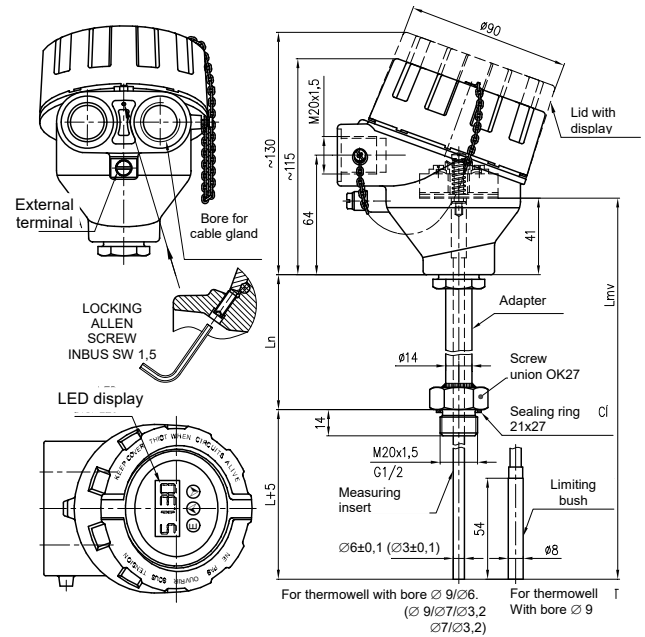
The sensors are rated products pursuant to the Directive 2014/32 EU of the European Parliament and the Council and EU Declaration of Conformity **EU-MID-243000-EN** is issued for them.

Using sensors within the meaning of Directive 2014/32 EU of the European Parliament and the Council. (MID) as part of the customer's measurement kits, for which the conformity of the assemblies as a whole must be assessed when placed on the market with all the features required by this directive:

- sensor without transmitter in 1xPt100 /.. / 4 connection can be used by the customer on the basis of an evaluation certificate in its measuring sets in the sense of Directive 2014/32 EU of the European Parliament and the Council

DESCRIPTION

The sensor consists of a replaceable measuring insert with flange and ceramic terminal board or installed two-wire converter (insulated or non-insulated, even in design Ex i) and protective armature consisting of a head and an adapter with a screw union for the connection of the sensor into the thermowell selected by the customer. The head with measuring insert and outlet form a fixed closure Ex d. It is provided with a lid, which can be screwed, and a gland for the connecting wiring. The gland (pursuant to the required diameter of the cable) forms optional accessories to the sensor. The terminal board (of the converter) of the sensor is accessible after unscrewing the lid of the head, which is fixed, after being tightened, with a pin against spontaneous releasing. The sensor is provided with an external terminal on



L - Nominal length

L_{mv} - Length of measuring insert

L_n - Length of adapter

the head for the connection of the grounding wire or wires for mutual interconnection.

The sensor with converter is supplied from an external source. The installed converter is pre-set to the required range at the sensor manufacturer.

To measure temperature, a defined change of sensor resistance in dependence on the change of temperature of the measured environment is used.

TECHNICAL DATA

The sensor dimensions are based on the original ČSN 25 8301. The sensor is designed pursuant to EN 61140 ed.2 as an electric equipment of protection class III for the application in networks with category of overvoltage in installation II and pollution grade 2 pursuant to EN 61010-1; the follow-up (evaluation) device shall comply with Article 6.3 of the said standard.

Measuring range:

Sensor with standard adapter	
Ln = 135 (125) mm	-70 to 450 °C *) **)
	-196 to 100 °C **) ***)
Sensor with shortened adapter	
Ln min= 65 mm	-70 to 250 °C *) **)
	-196 to 100 °C **) ***)

*) The upper limit of the range of measurement is limited by resistance of the material of the applied thermowell.

If it is ensured with a suitable way of installation that the surface temperature of a part of the sensor located in the dangerous area does not exceed the temperature of the required temperature class (T1...T6), the upper limit of the measurement range may be even higher (. 600°C). Example of installation – refer to figure 7.

**) Class A is only guaranteed in the range from -70 to 300 °C

***) Special design for cryogenic environments

Measuring range of the sensor with converter is established by the range of the selected converter.

Design for explosive atmospheres:

Fixed closure pursuant to EN IEC 60079-0 and EN 60079-1,

⊕ II 2 G Ex db IIC T1...T6 Gb

(Meaning of designation - see figure 5)

Dust-tight closure pursuant to EN IEC 60079-0 and EN 60079-31:

⊕ II 2 D Ex tb IIC T=T media Db
(Meaning of designation - see figure 5)

Intrinsically safe pursuant to EN IEC 60079-0 and EN 60079-11:

⊕ II 1 G Ex ia IIC T5/T6 Ga
(Meaning of designation - see figure 5)
P_i = 192 mW T6 (-60°C ≤ Ta ≤ 60°C)
P_i = 290 mW T6 (-60°C ≤ Ta ≤ 55°C)
T5 (-60°C ≤ Ta ≤ 65°C)

Intrinsically safe circuit parameters:
only for Pt 100, with measuring insert Ø6

Input
U_i = 60 V
I_i = 100 mA
P_i = 192 mW / 290 mW
C_i = 780 pF/m
L_i = 0,6 µH/m



WARNING

The device must be installed in a housing that meets the degree of protection against intrusion of at least IP 20. The casing of the measuring insert is not separated from the inner intrinsically safe circuit according to the standard EN 60079-11. This information must be taken into account during installation.



Intrinsically safe version with converter:
according to built-in converter

Electric strength pursuant to EN 61010-1, Article 6.8.3:
500 V eff (only measuring insert without converter or design with insulated converter)

Electric insulation resistance pursuant to IEC 751
min. 100 MΩ, at 15 to 35°C, max. 80 % relative humidity
min 100 V DC

Power supply of converter:
DC 24 V from source SELV, e.g. INAP 16 and INAP 901

Other data of converter: refer to the enclosed manual
Display: LED display to loop 4-20mA
other data refer to enclosed manual

Ingress protection pursuant to EN 60529: IP 68

Operation position:
discretionary; the outlet shall not be situated upwards

Type of operation: continuous

Sensor weight:
with adapter 135 mm 0.93 kg

Applied materials:

Thermowell	steel 1.4541
Stem tube of measuring insert	steel 1.4541
Head	aluminium alloy painted with blue epoxy colour
	steel 1.4401
Internal wiring	Cu
Head terminals of the terminal board	brass with Ni surface
Connecting elements of the sensor	stainless steel

OPERATION CONDITIONS

The environment is defined by the group of parameters and their severity grades IE 36 pursuant to EN 60721-3-3 and the following operation conditions.

- Ambient temperature for head and outlet of the sensor:**
- for design without converter -50 °C ≤ Ta ≤ 85 °C
 - for design with converter pursuant to the type of converter (refer to the enclosed converter manual) max. -50 °C ≤ Ta ≤ 75 °C
 - for design with converter and display pursuant to the type of converter and display (refer to the enclosed converter and display manual) max -50 °C ≤ Ta ≤ 75 °C

Maximum surface temperature of the sensor:
it complies with maximum temperature of the measured medium

Maximum surface temperature for equipment operating in the environment with a threat of explosion of gases, steam and mist pursuant to EN 60079-0 and temperature class of the sensor are determined in dependency on the temperature of measured medium pursuant to the following table:

Temperature class	Maximum surface temperature	Maximum temperature of measured medium
T6	85°C	80°C
T5	100°C	95°C
T4	135°C	130°C
T3	200°C	195°C
T2	300°C	290°C
T1	450°C	440°C

Maximum permitted surface temperature for the equipment operating in the environment with a threat of explosion of dust pursuant to EN 61241-14:

- Temperature limitation due to occurrence of stirred dust:
 $T_{max} = 2/3 T_{cl}$
where T_{cl} is the temperature of ignition of stirred dust
- Temperature limitation due to occurrence of layers of dust to 5mm thickness:
 $T_{max} = T_{5mm} - 75 °C$
where T_{5mm} is the temperature of ignition of dust layer 5mm thick
- Dust layers over 5 mm – refer to EN 61241-14

Maximum permitted surface temperature is defined by the lower value of the values specified above.

Intrinsically safe measuring inserts can be used in intrinsically safe circuits of group II electrical equipment.



WARNING

The user shall guarantee that the maximum surface temperature of any part of the sensor does not exceed the temperatures of ignition of any gas, steam or dust, which can occur, due to external thermal effects.



Relative ambient humidity:

- 10 to 100 % with condensation, with upper limit of water content 29 g H₂O/kg of dry air
- for converter version according to converter type (see enclosed converter instructions)
- for converter and display version according to converter and display type (see enclosed converter and display instructions)

Atmospheric pressure: 70 to 106 kPa

Maximum speed of flow of liquids:
pursuant to parameters of thermowell used by the customer

Vibrations:

Sensor	with converter			without converter		
	100, 160	250, 400	630	100, 160	250, 400	630
Nominal length L [mm]	100, 160	250, 400	630	100, 160	250, 400	630
Frequency range [Hz]	10 to 500					
Drift amplitude [mm]	0.2	0.15	0.075	0.5	0.2	0.075
Acceleration amplitude [ms ⁻²]	29.4	19.6	9.8	68.7	39.2	9.8

METROLOGICAL DATA

Probe: measuring resistor Pt 100 in connection pursuant to the scheme and table of designs, α = 0.00385 [K⁻¹], tolerance class A or B pursuant to IEC 751

Range of pair temperature differences pursuant to EN 1434: 3 to 180 K

Internal wiring resistance at 20 °C: 0.1 Ω/m
Calculated resistance value of internal wiring of the design without converter is specified on the label of the measuring insert.

Maximum current load of measuring resistor:
Pt 100 3 mA
Pt 500 1 mA

Recommended measuring current:
Pt 100 1 mA
Pt 500 0,5 mA

Output signal of the converter (linear with measured temperature):
4 to 20 mA (+ digital for HART protocol)

Calibration depth of immersion of the measuring insert of the sensor

- for temperature points within range -70 to 250°C:
200 mm (min. 160 mm)
- for temperature points above 250°C:
300 mm (min. 260 mm)

The distance of flange of the measuring insert from the level of medium in the calibration bath shall be at least 40 mm at temperatures to 250°C and min. 70 mm at temperatures above 250°C.

Temperature response time pursuant to ČSN IEC 751 in whirling water (characteristic value):
without thermowell (separate measuring insert)

	$\tau_{0.5}$	5 s
with thermowells 991100....991110....991120... and 991130... (L = 160)	$\tau_{0.5}$	85 s
	$\tau_{0.9}$	250 s
with thermowells 991100....991110....991120... and 991130... (L = 250, 400, 630)	$\tau_{0.5}$	53 s
	$\tau_{0.9}$	155 s
with thermowell 991150...(L = 160)	$\tau_{0.5}$	80 s
	$\tau_{0.9}$	235 s
with thermowell 991170...(L = 160)	$\tau_{0.5}$	36 s
	$\tau_{0.9}$	100 s

Temperature response time pursuant to IEC 751 in whirling water for measuring insert \varnothing 3 mm (characteristic value):
Without thermowell (separate measuring insert)

	$\tau_{0.5}$	1.6 s
	$\tau_{0.9}$	3.7 s
with thermowell 991180...(L = 160)	$\tau_{0.5}$	20 s
	$\tau_{0.9}$	90 s

DESIGNATION:

Data on label of head

- Trademark of the manufacturer
- Made in Czech Republic
- Type of resistance sensor, nominal value R_0 / tolerance class / configuration of wires of internal wiring *)
- Measuring range or set-up converter range
- Product ordering number
- Ingress Protection
- Serial number
- Output signal 4 to 20 mA (design with converter)
- Ambient temperature
- Mark of non-explosiveness:
 - ⊕ II 2 G Ex db IIC T1...T6 Gb
 - ⊕ II 2 D Ex tb IIIC T=T Media Db
 - ⊕ II 1 G Ex ia IIC T5/T6 Ga
 and number of the EU Certificate of type test
- Designation of non-explosiveness and No. of EU Type Examination Certificate (for design with converter Ex ia)
- CE mark 1026
- Other data for design with proof of metrological compliance (/M5)
 - o the conformity marking (CE + supplementary metrology marking) and the number of the notified person
 - o EU type examination certificate number TCM 321/12 - 4906
 - o range of temperature difference
 - o serial number /1 a /2 for unambiguous resolution of sensors for inlet and return pipes
- other data for design /M1, /M2, /M3 a /M4
- Evaluation certificate. No ZR 141/10-

*) Configuration of wires of internal wiring is not specified for the converter

Data on label of measuring insert

- Trade mark
- Sensor type, nominal value R_0 / tolerance class / Configuration of wires of internal wiring *)
- Serial number
- Resistance value of internal wiring (for design without converter)

*) Configuration of wires of internal wiring is not specified for the converter

Data on label of converter

- Sensor type
- Sensor type
- Pre-set temperature range
- Designation of non-explosiveness and number of the EU-Type Examination Certificate
- the conformity marking CE (for converter Ex ia with the number of the notified person)

Data on display

- Trade mark
- the conformity marking CE

DELIVERY

Unless agreed otherwise with the customer, each delivery includes

- Delivery note
- Sensor pursuant to the purchase order
- Sealing ring 21x27 TPD 62-014-91
- Allen key 1.5 mm
- Suitable gland ordered separately pursuant to the catalogue of accessories, type 991. An instruction sheet is delivered with each cable outlet
- Suitable thermowells and nipples ordered separately pursuant to the catalogue of accessories, type 991
- Optional accessories to the sensor with programmable converter
 - o Configuration (parameterization) programme pursuant to the required converter
 - o Communication modem (for serial port RS 232C) pursuant to the required converter
- Accompanying technical documentation in Czech
 - o Product manual
 - o Product quality and completeness certificate, which also serves as the warranty certificate
 - o EU Declaration of Conformity
 - o EU Declaration of Conformity for Conformity with Metrological Compliance (/ M5)

If it is established in the purchase contract or agreed otherwise, the following documentation can be also delivered with the product:

- Declaration of Conformity with purchase order 2.1 acc. to EN 10204
- Declaration of Conformity of the supplier pursuant to EN ISO/IEC 17050-1
- Calibration sheet (for uncertified calibrated design)
- Copy of EU-Type Examination Certificate pursuant to the Directive No 2014/34/EU for fixed and dust-tight closure
- Copy of EU-Type Examination Certificate pursuant to the Directive No 2014/34/EU for Ex ia design
- Copy of Evaluation certificate for design /M1, /M2, /M3 and /M4
- Test report about the seismic and the vibration qualification

CERTIFICATION

- Non-explosiveness Ex ia, EU-Type Examination Certificate pursuant to the Directive 2014/34/EU. FTZÚ 08 ATEX 0199X as amended
- Non-explosiveness Ex ia, EU-Type Examination Certificate pursuant to the Directive 2014/34/EU FTZÚ 21 ATEX 0007X
- Non-explosiveness Ex ia, EU-Type Examination Certificate pursuant to the 2014/34/EU (pursuant to the type of the converter and display)
- Declaration of metrological conformity (MID) in accordance with Module B of Directive No. 2014/32/EU, EU Type Examination Certificate No. TCM 321/12-4906
- Evaluation certificate. No. ZR 114/10-0068

RELIABILITY

Indicators of reliability in operation conditions and conditions of the environment specified herein

- Mean time of operation between failures 96 000 hours (inf. value)
- Expected service life 10 years

CALIBRATION

It is realized pursuant to TPM 3342-94 and in compliance with IEC 751, usually in three temperature points evenly distributed within the operation range of the sensor or in the points according to the requirement of the customer. Calibration sheets with measured data are issued for calibrated sensors.

ASSESSMENT OF CONFORMITY PURSUANT TO THE DIRECTIVE 2014/32 EU

Couple sensors are verified pursuant to EN 1434-5.

The sensors are rated products pursuant to the Directive 2014/32 EU of the European Parliament and the Council and EU Declaration of Conformity is issued for them.

The manufacturer performs subsequent verification under EN 1434-5. Subsequent verification is ordered in the department AMS ZPA N. Paka a.s. (ams@zpanp.cz).

For subsequent verification, send the whole couple tied together.

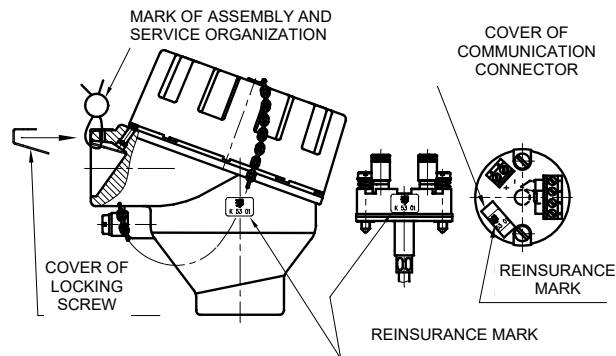
METHOD OF PLACING THE MARK OF ASSEMBLY AND SERVICE ORGANIZATION AND REINSURANCE MARKS

Verified sensors have a self-adhesive label with reinsurance mark. The label is stuck on the terminal board and the sensor head.

After installation on place of use the sensors will be reassured with mounting seal eventually with label, preventing unauthorized manipulation.

After subsequent verification, the sensors will be provided with a self-adhesive label with an official mark. The label will be stuck on the terminal board and the sensor head instead of the original reinsurance mark.

PLACING THE MARK OF ASSEMBLY AND SERVICE ORGANIZATION AND REINSURANCE MARKS



PACKING

Both sensors and accessories are delivered in a packing ensuring resistance to the impact of thermal effects and mechanical effects pursuant to controlled packing regulations.

TRANSPORT

The sensors may be transported on conditions corresponding to the set of combinations of classes IE 21 pursuant to EN IEC 60721-3-2 (i.e. by airplanes and trucks, in premises that are ventilated and protected against atmospheric conditions).

STORAGE

The sensors may be stored on conditions corresponding to the set of combinations of classes IE 12 pursuant to EN IEC 60721-3-1, but with ambient temperature from -20 to 70 °C (i.e. in places where temperature and humidity are not regulated, with a threat of occurrence of condensation, dripping water and formation of ice, without a special threat of an attack with biological agents, with vibrations of small significance and not situated close to sources of dust and sand).

ORDERING TEMPERATURE SENSORS

The purchase order shall specify

- Name
- Product ordering number
- Ex ia design is ordered using codes J4X, D2X or D3X according to table 1
- Additional requirements for sensor design pursuant to Table 2
- Request for other documentation pursuant to Table 2
- Measuring range
- If calibration is required and in what temperature points
- If the delivery of thermowell and nipple pursuant to the type 991 is required for the sensor as accessories
- If the delivery of gland for output cable pursuant to the type 991 is required for the sensor as accessories
- If optional accessories to the sensor with programmable converter is required
- Other (special) requirements
- Number of pieces

Behind the ordering number specified pursuant to the above mentioned table, the customer shall identify the required range of measured temperature (i.e. lower and upper temperature limits in °C) and, as the case may be, other non-standard required parameters for converter configuration (e.g. indication of sensor tripping, dampening, required designation - tagging etc.).

PURCHASE ORDER EXAMPLE

Standard design:

Resistance temperature sensor Ex d (Ex t) to thermowell
EN without converter
243 410 211 1B/J4/Q1
Calibration points of 100, 250 and 400 °C
Range -50 to 50°C
6 pcs

Special requirement:

Resistance temperature sensor Ex d (Ex t) to thermowell
EN with converter
243 910 311 1B/18/2.1
Nominal length L 380 mm
Connecting thread G1/2
Range 0 to 100°C
6 pcs

ORDERING ACCESSORIES

The purchase order shall specify:

- Name
- Product ordering number
- Number of pieces

PURCHASE ORDER EXAMPLE

Standard design:

1. Cylindrical thermowell screw, non-reduced
991 10 00 33
20 pcs
2. Nipple
991 NVP4 M27 72
6 pcs
3. Cable gland
991 VM 612
5 pcs

Special request:

1. Cylindrical thermowell screw, non-reduced
991 12 00 99
thermowell material 1.4404
nominal length L = 380 mm
10 pcs
2. Nipple
991 NVP4 M27 99
material 1.5415
6 pcs

TABLE 1- DESIGN OF TEMPERATURE SENSORS Ex d (Ex t, Ex i) TO THERMOWELL ČSN TYPE 243

SPECIFICATIONS						ORDERING NUMBER														
						243	x	x	0	x	x	x	x	x	x	/xxxxxx	/xxx			
Nominal length L [mm]	100	Length of adapter L _n [mm]	135	Length of measuring insert L _{mv} [mm]	280	1														
	160				340	2														
	250				430	3														
	400				580	4														
	630				810	5														
	Other (min. 75) *)					9														
Nominal length L [mm]	100	Length of adapter L _n [mm]	65	Length of measuring insert L _{mv} [mm]	210	1														
	160				270	2														
	250				360	3														
	400				510	4														
	630				740	5														
	Other (min. 75) *)					9														
Length of adapter	135 mm					1														
	65 mm	max. -70 to 250°C				2														
	Other *) **)	(min. 65 mm)				9														
Thermowell material	without thermowell						0													
Connecting thread	M20 x 1.5								2											
	G1/2								3											
	Other *)								9											
Head of the sensor with thread for gland Ex d (Ex t) - overview of glands see Tab.6,7	Aluminium alloy painted with blue epoxy colour		M20x1.5							1										
			1/2-14NPT						2											
	Corrosion resistant steel 1.4401		M20x1.5							3										
			1/2-14NPT						4											
Tube of measuring insert [mm]	Ø6 ± 0,1									1										
	Ø 8 (with limiting bush)									2										
	Ø3 ± 0,1 *)									3										
Measuring resistor (probe)	Pt100										1									
	Pt 500										2									
	Other *)										9									
Tolerance class	A guaranteed only within range to 300°C														A					
	B														B					
Terminal board connection	single - four-wire (1xPt/ /4)																/J4			
	double - two-wire (2xPt/B/2)														B		/D2			
	double - three-wire (2xPt/ /3)																/D3			
	Single - four-wire		only for Pt 100, with measuring insert ø 6, length of measuring insert L _{mv} 100 – 3025 [mm]								1	1					/J4X			
	Double - two-wire										1	1	B				/D2X			
	Double - three-wire										1	1					/D3X			

TABLE 2 – ADDITIONAL REQUIREMENT FOR DESIGN OF TEMPERATURE SENSORS Ex d (Ex t, Ex i) TO THERMOWELL ČSN, TYPE 243

SPECIFICATIONS				CODE	
PROOF OF METROLOGICAL COMPLIANCE	DESIGN OF TEMPERATURE SENSORS	MEASURING RANGE [°C]	USE		
Proof of metrological compliance pursuant to Directive No. 2014/32/EU (MID), Annex MI-004 *)	couple sensors without converter in connection 1xPt100/.../4 min. length of measuring insert Ø 6 mm = 210 mm min. immersion = 160 mm	0 to 180	application for residential and business premises and for the light industry	/M5	
CALIBRATION (for sensors as described below)	DESIGN OF TEMPERATURE SENSORS	MEASURING RANGE [°C]	USE		
Calibration by TPM 3342-94, in three calibration points evenly distributed in the sensor measuring range for use as part of the customer's measurement assemblies pursuant to Directive No. 2014/32/EU (MID), Annex MI-002 and MI-005 *)	sensors without converter in connection 1xPt100/.../4 min. length of measuring insert for temperature to 250°C Ø 6 mm = 210 mm for temperature over 250°C Ø 6 mm = 275 mm	-50 to 50	application for residential and business premises and for the light industry	/M1	
		-50 to 100		/M2	
		0 to 200		/M3	
		0 to 250 for sensors with extension lengths shorter than 125 mm (min. 65 mm)		/M4	
		0 to 300 for sensor with measuring resistance in tolerance class A			
0 to 400 for sensors with extension lengths 125 mm and longer, with measuring resistance in tolerance class B					
CALIBRATION	NUMBER OF CALIBRATION POINTS	CALIBRATION RANGE			
Calibration by TPM 3342-94, define calibration points	3	0 to 420 °C	/Q1		
	3	0 to 600 °C	/Q2		
	3	-196 to 100 °C	/Q3		
	3	-50 to 600 °C	/Q22		
	Other	-50 to 600 °C	/Q9		
REQUIREMENT FOR OTHER DOCUMENTATION		USE			
Copy of EU-Type Examination Certificate (pursuant to Directive No. 2014/32/EU)		M5		/MID	
Copy of Evaluation certificate No. ZR 141/10-0068		M1, M2, M3, and M4		/EC	
EU Declaration of Conformity		for design with converter		/EU	
Copy of EU-Type Examination Certificate acc to the 2014/34/EU		for fixed closure and a dust-tight closure		/Exd	
Copy of EU-Type Examination Certificate acc to the 2014/34/EU		for Ex ia design		/Exi	
Declaration of Conformity with purchase order 2.1 pursuant to EN 10204				/2.1	

Specify the code behind ordering number. Define calibration points for codes Q1, Q2, Q3, Q22 and Q9.


- *)  **WARNING - This request can only be selected with measuring insert Ø6 ± 0,1.**
 **) only as a special request after an agreement with the manufacturer

TABLE 3 –OVERVIEW OF SEALING RINGS TYPE 991 SUPPLIED TO TEMPERATURE SENSORS

EXTERNAL FIXING THREAD OF TEMPERATURE SENSORS	SEALING RING			
	DIMENSION [mm] Ød x ØD x t	MATERIAL	NUMBER	ORDERING NUMBER
M20 x 1,5 G1/2	21x27x2	copper thermally insulating insert	1 Pcs	991 TK 21

The sealing ring is supplied to each sensor by default. The sealing ring can also be ordered separately using ordering number

TABLE 4 - THERMOWELLS RECOMMENDED FOR ASSEMBLY OF TEMPERATURE SENSORS TO THERMOWELL - TYPE 991

SPECIFICATIONS							ORDERING NUMBER					
							991	xx	x	x	x	x
Cylindrical thermowell	PN 160	Screwing, internal thread M27x2	Non-reduced (ON 02 7210)		Bore [mm]	Ø9		10	0			
			Reduced			Ø9/Ø6		11	0			
		welding external Ø 27 mm	Non-reduced (ON 02 7212)			Ø9		12				
			Reduced			Ø9/Ø6		13				
Conical thermowell	PN 250	Screwing external thread M33x2	For high speeds of flow Non-reduced (ON 02 7215)		Bore [mm]	Ø9 only L = 160, 250 and 400 only sensor thread M20×1,5		15	0	0	2	
			For high parameters of operation liquid, reduced (ON 02 7217)			Ø9/Ø6 only L = 160, 250 a 400 only sensor thread M20×1,5		17	0	0	2	
			For high parameters of operation liquid, reduced (ON 02 7218)			Ø9/Ø7/Ø3,2 only L = 160 only sensor thread M20×1,5		18	0	0	2	
Fast-response thermowell	PN 250	Welding	For high parameters of operation liquid and high speeds of flow		Bore [mm]	Ø7/Ø3,2 only L = 160, 250 a 400 only sensor thread M20×1,5 only from steel 1.4541		19	0	0	3	
Sensor thread	M20x1,5								0			
	G1/2 Only cylindrical thermowells								G			
Flange	Without flange									0		
	With flange *) Only cylindrical welding thermowells									F		
Material of immersion part of thermowell	1.0577 **) 15 128 1.4541 *****) 1.4571 **) *****) 1.4903 **) Other *)	For zone 0	no	surface treatment	preservation with grease – oil	maximum operation temperature [°C]	400					1
							550					2
							550 (650)***)					3
			yes	-	brushed, polished	500				4		
							620				5	
								pursuant to material				9
Nominal length L [mm]	100 Only cylindrical thermowells										1	
	160										2	
	250										3	
	400										4	
	630 Only cylindrical thermowells										5	
	Other *)	max. 3000	For thermowells with codes	10x0, 11x0, 12xx, 13xx								9
max. 1200		1500 a 1700										
max. 500		1800 a 1900										

*) Only as a special request after an agreement with the manufacturer
 **) Only for cone thermowells with codes 1500 and 1700
 ***) Maximum operation temperature 650°C only for thermowells with code 1700 and 1800
 *****) For zone 0 corrosion resistant thermowell shall be used (pursuant to EN 60079-26)
 *****) thermowells of these materials are suitable for contact with food

TABLE 5 - ACCESSORIES - OVERVIEW OF DESIGN OF RECOMMENDED NIPPLES FOR SCREW-IN THERMOWELLS, TYPE 991

SPECIFICATION							ORDERING NUMBER				
							991	xxx	x	xxx	xx
Shape	direct							NVP			
	oblique (chamfer 45°)							NVS			
Internal thread	M27 × 2				PN	160 (40) **)		4	M27		
	M33 × 2					250		5	M33		
	Other *)							9			
Material	1.0308 or 1.0122		surface treatment	conservation by fat - by oil	maximum operation temperature [°C]	300 (only PN 40)			M27	13	
	1.0577					400			M33	15	
	15 128					550			M27	51	
	1.4541					550				72	
	other *)					pursuant to material				99	

*) only as a special requirement after an agreement with the manufacturer

TABLE 6 - OVERVIEW OF DESIGNS AND ORDERING OF CABLE GLANDS Ex d (Ex t) BRASS – TYPE 991

SPECIFICATION							Ordering number				
							991	xx	xxx		
Gland Ex d (Ex t) brass		Cable clamp (clamping module)									
Size	Wrench		Size	Dimension		Thread	Torque of gland body	For cable Ø [mm]			
	A	B		C	Ds						
No. 4	OK 17		OK 24	No. 4	5	20	M20×1.5	30 - 35 Nm	4,5-8.5	VM	458
No. 5	OK 19			No. 5	5	22			7-11	VM	711
No. 6	OK 24			No. 6	6	27.5			10-16	VM	016
No. 4	OK 17			No. 4	5	20	1/2-14 NPT	25 - 30 Nm	4,5-8.5	VK	458
No. 5	OK 19			No. 5	5	22			7-11	VK	711
No. 6	OK 24			No. 6	6	27.5			10-15.5	VK	015

INSTALLATION AND CONNECTION

SENSOR INSTALLATION

Install the sensors by screwing into the relevant thermowell screwed into the nipple on the piping (technological equipment) or welded into the piping wall. Before the installation, put on the enclosed sealing ring in advance. During the installation, torque of 70 Nm is recommended.

A proposal of securing the thermowell of the temperature sensors Ex d for nominal lengths exceeding 630 m is in figure 1; examples of installation of direct and angular nipples are in figure 2.

With respect to maintaining metrological properties and the longest possible service life, it is not recommended to install the sensors in places with high turbulence of the medium, which is caused e.g. by a rapid transition from a small diameter of the piping to a larger one (when failing to comply with the required shape and dimensions of diffuser behind the flow meter), etc. Recommended distance of the temperature sensor from the installation flange of the flow meter is min. 1 m.



WARNING



The temperature sensor may be installed to the thermowell located in the zone 0 (20), zone 1 (1) or zone 2 (22), thermowell for zone 0 must be in accordance with the EN 60079-26. (See figure 2).

The other parts of the sensor (fitting, adapter, connecting head) may be located in zone 1 (21) or zone 2 (22).

When installing sensor in the thermowell located in zone 20, a pre-fuse with the following parameters must be used in the converter encoder circuit: Ceramic, quick break (F), short circuit resistance 1500A (H), e.g. ceramic tube fuse Ø5 x 20 mm, F100mA.

Distance of the fixed closure Ex d IIC from close structures or between the closures shall be at least 40 mm.

The temperature sensor with a paint finish must be installed in an explosive atmosphere with dust so as to avoid the occurrence of creep discharges

CABLE GLANDS INSTALLATION

Only a certified cable gland shall be used to secure the fixed closure (dust-tight closure) Ex d IIC (Ex tb IIIC) with IP 68 protection (see accessories type 991 or another similar gland). For temperature sensors with converter, a barrier cable gland must be used in zone 1 of the IIC gas gauge, or an Ex ia converter.

The gland shall be tightened in the sensor head in the prescribed way.

Torque of outlet body:

- | | | |
|----|------------------------------------|-----------|
| a) | for outlet with thread 1/2 - 14NPT | 25 – 30Nm |
| b) | for outlet with thread M20x1.5 | 30 – 35Nm |

Installation of the cable in the outlet, its sealing and securing against pull-out shall be realized pursuant to the instruction sheet of the outlet supplier.



WARNING

Do not use other sealing rings in the outlet than the original ones delivered by the manufacturer. Do not change artificially the outer diameter of the cable e.g. by winding it around with electrical insulating tapes.

ELECTRICAL CONNECTION

The electrical connection may be only realized by qualified workers.

The sensor installation in conditions with explosive gaseous atmosphere or flammable dust shall comply with the requirements of EN 60079-14.

The terminal board of the sensor (converter) is accessible after unscrewing the lid of the head.

Connect the evaluation devices to the sensor with a non-armoured cable with double insulation (internal wires with Cu core with cross-section 0.5 to 1.5 mm²).

Seal the cable in the outlet by prescribed tightening of the closing nut pursuant to instruction sheet of the outlet. Then secure it with clamp against pull-out.



WARNING



The connecting cable must have a casing of thermoplastic, thermoset or elastomeric materials. The cable must be circular and compact, the filler or shell

must be extruded and the filler material, if used, must be non-absorbent. The length of the connecting cable must be at least min. 3 m. Temperature resistance of the cable shall comply with the ambient temperature!

The cable insulation shall have chemical and mechanical resistances in compliance with the conditions, in which the cable will be installed. It is recommended supporting the cable along its length between the sensor and the follow-up device. In the environment with interfering signals, use shielded cable in the power supply circuit. Shielding may be only grounded (earthed) in one point. The cable should not be placed together with power cables.

In case of the sensor with HART protocol converter, the maximum length of wiring is defined by the arrangement of wires of the connecting cable. The total length of wiring may be up to 1500 m. It requires a twisted two-wire with shared shielding with the diameter of the cross section min. 0.5 mm². HART communicator is connected to the supply loop of the sensor with converter pursuant to figure 4. To achieve reliable communication, resistor 250 Ω shall be introduced in the circuit of the output loop.



WARNING



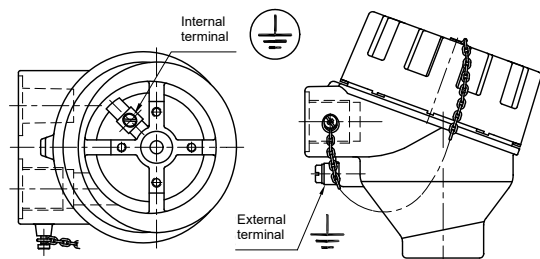
Programmable converter may not be connected to a computer or a HART communicator if the converter is located in explosive environment.

Surface temperature of the converter may not exceed maximum surface temperature for that particular temperature class.

For the installations in dangerous areas, mutual connection is required (bringing to the same potential). To achieve it, clamps on the sensor head can be used.

The sensor need not be connected to the system of mutual connection independently if it is installed firmly and has metal interconnection with the structural parts or the piping, which is connected to the system of mutual connection.

SENSOR HEAD WITH CLAMPS



Maximum cross-section of wire for connection to external and internal terminals:

Internal terminal: stranded wire 1.5 mm², full wire 2.5 mm²

External terminal: stranded wire 4.0 mm², full wire 6.0 mm²

If stranded wires are used for the interconnection, they shall be protected against fraying with pressing hollow.

CLOSING HEAD OF FIXED CLOSURE Ex d

After electrical connection of the sensor, the lid of the head shall be fully tightened by hand, then released slightly to ensure matching with the closest groove against the securing pit and fixed by this screw against releasing. If the lid of the sensor is not tightened and secured with the above mentioned screw, the sensor does not comply with the requirements of fixed closure Ex d.



WARNING:



Electric supply of the sensor may not be connected before closing the fixed closure!

SENSOR INSTALLATION WITHOUT CONVERTER AND SENSOR WITH CONVERTER Ex ia TO ZONE 0 (20)



WARNING:



The user is responsible for ensuring that during operation in zone 0 is between the sensor head from an aluminium alloy and other equipment preclude any risk of ignition due to impact and friction.

The sensor without converter can be used, in case of the installation pursuant to EN 60079-11, Art. 5.7 in the intrinsically safe circuit Ex ia according to EN 60079-25), as a simple

equipment. For simple equipment, the maximum temperature can be determined from the value of the P0 of the follower and the temperature class is determined.

Sensor with converter Ex ia can be used while adhering to the Ex ia parameters of the converter shall be complied with pursuant to the enclosed converter manual.

In intrinsically safe circuits, only insulated cables that are capable of withstanding an electrical strength test with a voltage equal to twice the voltage in the intrinsically safe circuit or 500 V eff (DC 750 V) must be used, with a larger value being taken.

When installing intrinsically safe circuits, including cables, do not exceed the maximum allowable inductance, capacity or ratio LiR and surface temperature. Permissible values are determined from the documentation of the connecting device or label. Place follow-up equipment out of the danger area. An intrinsically safe source approved for supplying intrinsically safe devices in accordance with EN 60079-11 must always be used.

The shield of the intrinsically safe circuit cable must be grounded in the same place as the intrinsically safe circuit, the connection must be outside the dangerous area. If the intrinsically safe circuit is isolated from the ground, the shield must be connected in one place to the protective interconnection system. This can be using the terminals on the sensor head.

COMMISSIONING

After the sensor installation, including closing the fixed closure and connection of the follow-up (evaluation) device to the supply voltage (and the settlement period of the converter), the equipment is prepared for operation.



WARNING

After installation must be require initial inspection equipment and installations according to EN 60079-17



OPERATION AND MAINTENANCE

The sensor does not require any operation; maintenance and follow-up regular periodic revision or permanent supervision of expert staff are performed pursuant to EN 60079-17



WARNING

Any intervention into the sensor and its structure will result in a change of properties and can result in an explosion!



SENSOR UNINSTALLATION



WARNING

Temperature sensor is in design Ex and must be disconnected from the power supply source before opening the lid of the head and releasing the gland in the explosive environment!



Then release the securing screw of the lid with ALLEN key 1.5 mm (a part of accessories). The terminal board of the sensor (converter) is accessible after unscrewing the lid of the head. Measuring insert of the sensor can be replaced and is uninstalled from the head after disconnecting the cable by releasing two screws.

Before a complete uninstallation of the sensor, the wire for mutual interconnection shall be released from the external terminal on the sensor.

Disconnect the connecting cable from the terminal board, then release it from the terminal on the outlet and from closing nut of the outlet. Unscrew the sensor from the thermowell; torque for releasing is approx. 70 Nm. While releasing the screw union of the sensor, the thermowell may never be released.

SPARE PARTS

Spare parts shall be delivered by the manufacturer. Relevant measuring inserts can be ordered pursuant to the following table:

SPECIFICATION	ORDERING NUMBER						
	MV230	/xxx/	1	x	x	/xxxx	
Length of measuring insert [mm]		pursuant to tab. 1	1				
Tube of measuring insert [mm]	∅ 6 ± 0,1		1				
	∅ 8mm (with limiting bush)		2				
	∅ 3 ± 0,1 *		3				
Sensing probe	Pt100			1			
	Pt500			2			
Tolerance class	A				A		
	B				B		
Connection of terminal board or converter	Pt100/ /4					/J4	
	2xPt100/B/2				B	/D2	
	2xPt100/ /3					/D3	
	Pt/ /4 **			1	1	/J4X	
	2xPt/B/2 **			1	1	B	/D2X
	2xPt/ /3 **			1	1		/D3X
Converter pursuant to tab. 1						/converter	

*) Only as a special requirement after an agreement with the manufacturer

**) Ex ia design

PURCHASE ORDER EXAMPLE OF MEASURING INSERT

Resistance measuring insert without converter
240 /430/ 11B/J4
6 pcs

To order the certified measuring inserts, specify the code according to Table 2 – Additional requirements – behind the ordering number.

The measuring inserts are marked according to Article DESIGNATION. Designation is completed with the ordering number.

Each delivery includes

- Delivery note
- Measuring insert pursuant to the purchase order
- Optional accessories to the measuring insert with a programmable converter
 - o Configuration program according to the required converter
 - o Communication modem (for serial port RS 232C) according to the required converter
- Accompanying technical documentation in Czech
 - o Product manual
 - o Product quality and completeness certificate, which also serves as the warranty certificate
 - o EU Declaration of Conformity (for Ex ia design)

If it is established in the purchase contract or agreed otherwise, the following documentation can be also delivered with the product

- Calibration sheet (for calibrated design)
- Declaration of Conformity of the supplier according to EN ISO/IEC 17050-1
- Copy of EU-Type Examination Certificate pursuant to the Directive No 2014/34/EU for design Ex ia

WARRANTY

The warranty period is 24 months from the receiving of the product by the customer, unless established otherwise in the contract. Rejection of defects shall be enforced in writing at the manufacturer within the warranty period. The rejecting side shall identify the product name, ordering and manufacturing numbers, date of issue and number of the delivery note, clear description of the occurring defect and the subject of the claim. If the rejecting side is invited to send the device for repair, it shall do so in the original package of the manufacturer and/or in another package ensuring safe transport.

The warranty shall not apply to defects caused by unauthorized intervention into the device, its forced mechanical damage or failure to comply with operation conditions of the product and the product manual.

REPAIRS

The sensors shall be repaired by the manufacturer. They shall be sent for repair in the original or equal package without accessories.

DISABLING AND LIQUIDATION

The product and its package do not include any parts that could impact the environment.

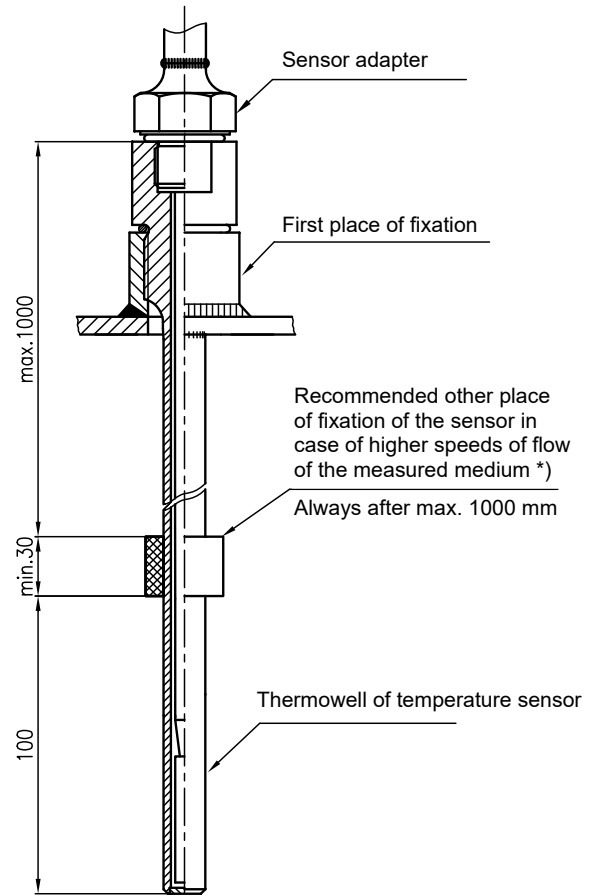
The products that are withdrawn from operation, including their packages (with the exception of products marked as electrical equipment for the purposes of return withdrawal and separate salvage of electrical waste), may be disposed of to sorted or unsorted waste pursuant to the type of waste.

The manufacturer realizes free return withdrawal of marked electrical equipment (from 13.8.2005) from the consumer and points out the danger connected with their illegal disposal.

The package of the sensor can be recycled completely. Metal parts of the products are recycled, non-recyclable plastic materials and electrical waste shall be disposed of in accordance with applicable legislation.

FIGURE 1 - PROPOSAL OF SECURING THERMOWELL OF TEMPERATURE SENSORS Ex d

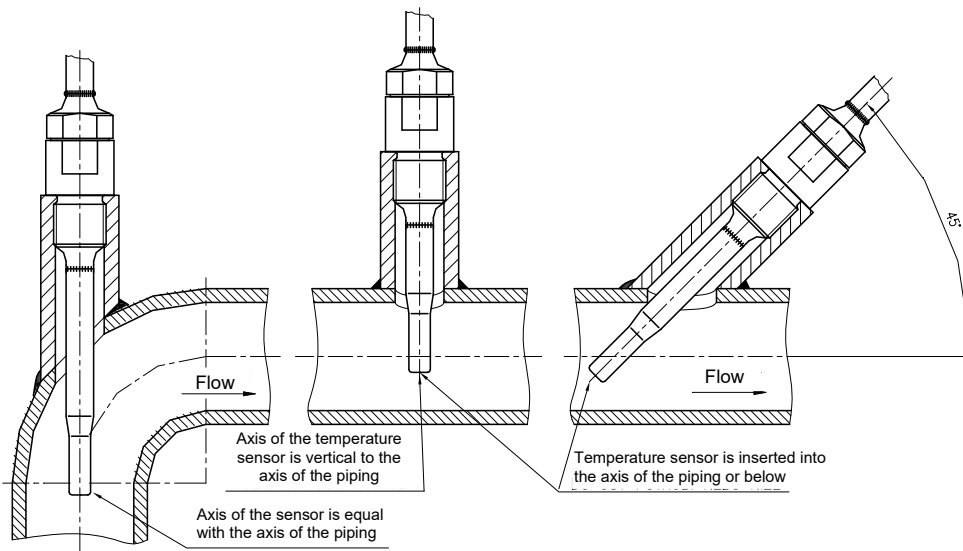
(for nominal lengths exceeding 630 mm)
 Prescribed thermowells of type 991 (pursuant to ON 02 7210, ON 02 7212, ON 02 7215 or ON 02 7217) shall be used.



**) In case of flow of the measured medium, the thermowells are stressed with dynamic effects of the flowing medium and this stress depends on the speed of flow, physical properties of the measured medium and immersion length of the thermowell.*

If the occurrence of such dynamic effects can be expected, it is recommended to realize further fixation of the sensor thermowell pursuant to the above mentioned proposal.

FIGURE 2 - EXAMPLES OF INSTALLATION OF DIRECT AND OBLIQUE NIPPLE S PURSUANT TO EN 1434-2



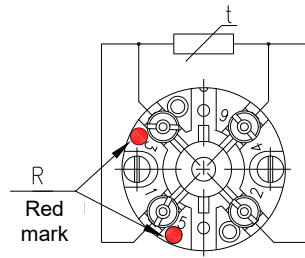
WARNING

- When using the sensor with an angular nipple, locate the sensor with thermowell at an angle against the direction of flow.
- The sensor may not touch the opposite side of the piping.
- It is also advantageous to use the temperature sensors in the piping elbow. In such a case, locate the sensor with the thermowell against the direction of flow so that the measured medium flows around evenly

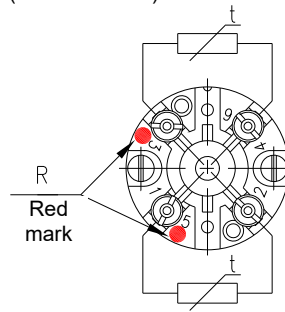
FIGURE 3 - SCHEME OF CONNECTION OF TEMPERATURE SENSORS

SCHEME OF CONNECTION WITHOUT CONVERTER

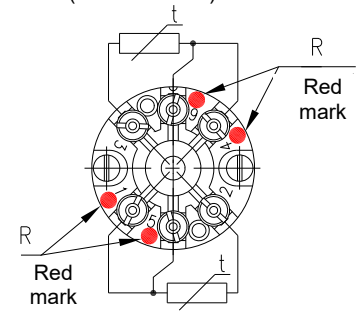
J4 - With simple measuring resistor in four-wire connection (Pt 100/ /4)



D2 - With double measuring resistor in two-wire connection (2 × Pt 100/B/2)

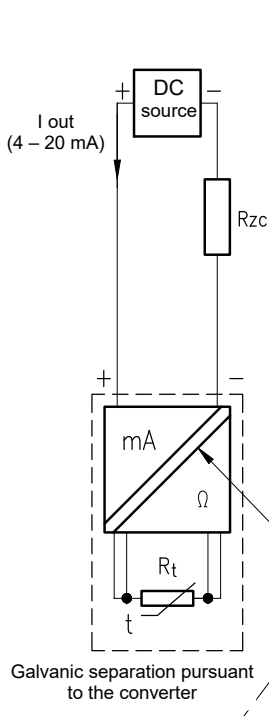


D3 - With double measuring resistor in three-wire connection (2 × Pt 100/ /3)

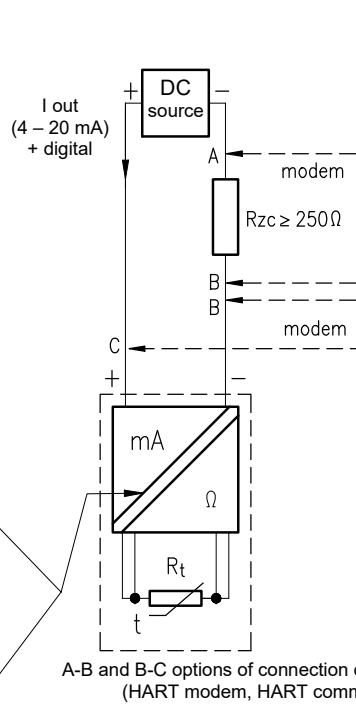


SCHEME OF CONNECTION WITH CONVERTER AND DISPLAY

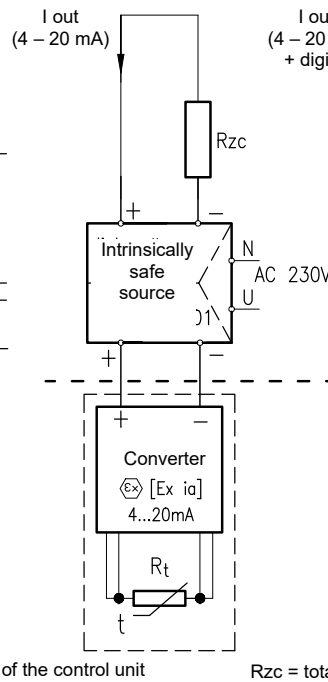
with converter



with converter with HART protocol



with converter Ex ia



with converter Ex ia with HART protocol

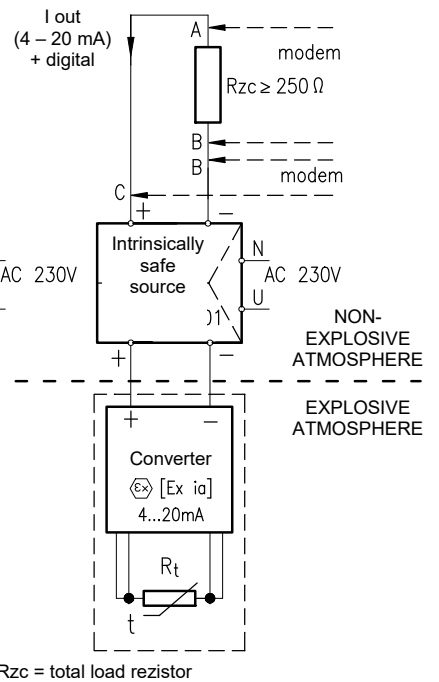


FIGURE 4 - EXAMPLE OF OPERATION CONNECTION OF TEMPERATURE SENSOR WITH CONVERTER IN LOOP 4 - 20 mA

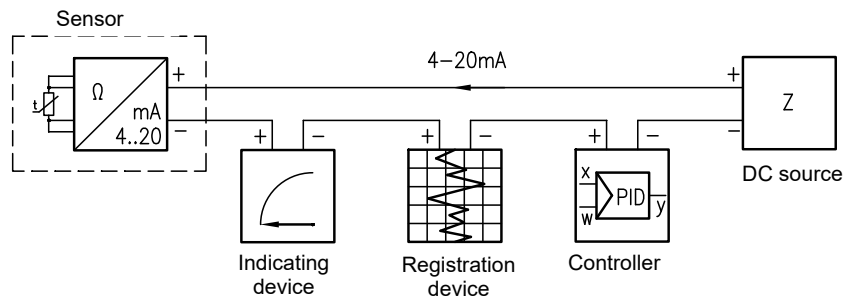


FIGURE 5 – MARK OF NON-EXPLOSIVENESS

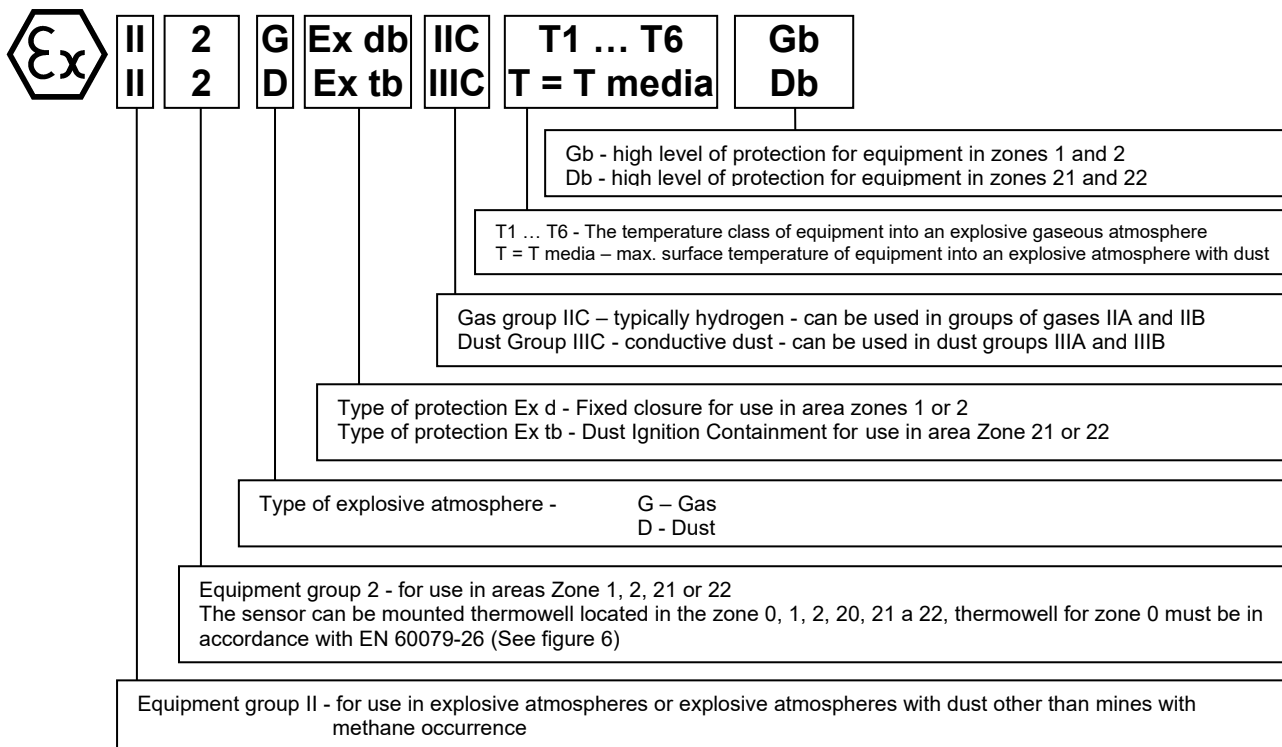


FIGURE 6 - INTRINSICALLY SAFE MARKING

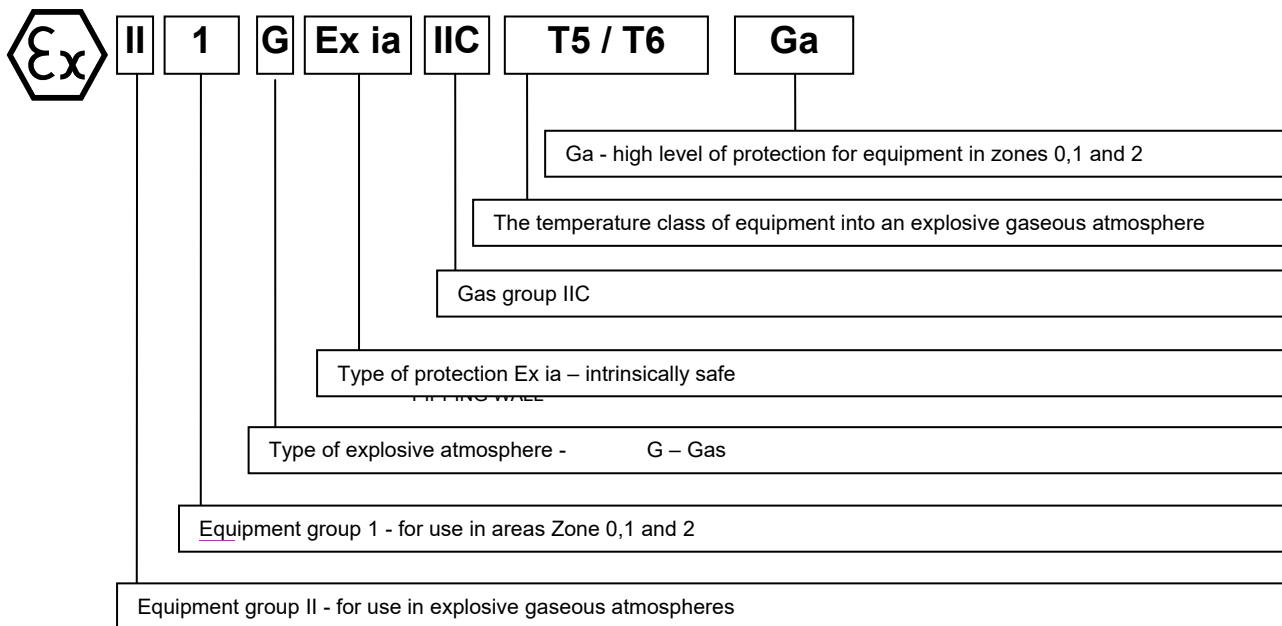


FIGURE 7 – THERMOWELL FOR SENSOR TEMPERATURE Ex d FOR ZONE 0 (pursuant to EN 60079-26)

Thermowell that is used in the function of a partition wall between the zones 1 or 2 and zone 0 shall be made of a corrosion resistant metal and with wall thickness $t \geq 1$ mm

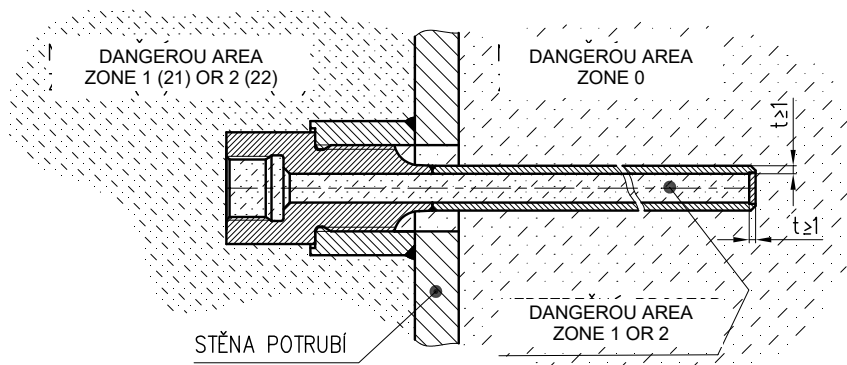
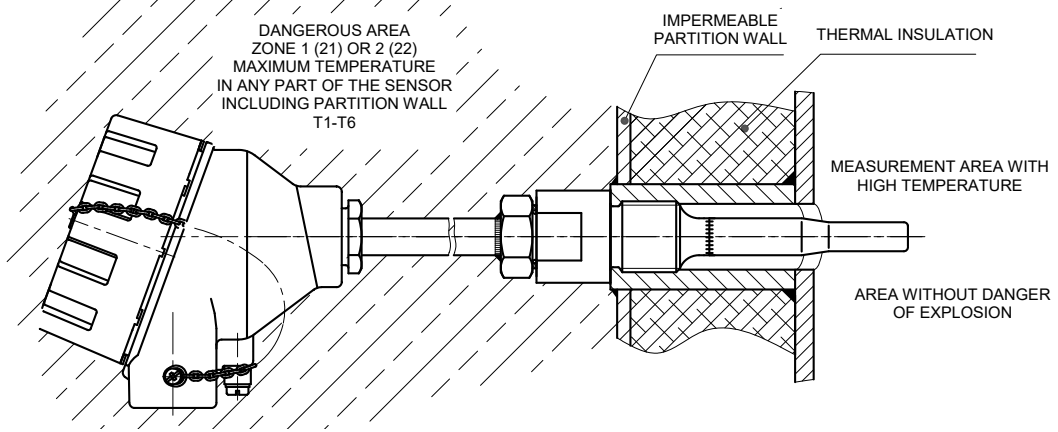


FIGURE 8 – EXAMPLE OF INSTALLATION OF TEMPERATURE SENSORS Ex d TO THERMOWELL ČSN
 (in case a higher limit of the measurement range is required on a level exceeding the required temperature class)



April 2021

© ZPA Nová Paka, a.s.



ZPA Nová Paka, a.s.
 Pražská 470
 509 01 Nová Paka

tel.: spojovatel: 493 761 111
 e-mail: obchod@zpanp.cz
 www.zpanp.cz

bankovní spojení: ČSOB HK
 číslo účtu: 271 992 523/300

IČO: 46 50 48 26
 DIČ: CZ46504826