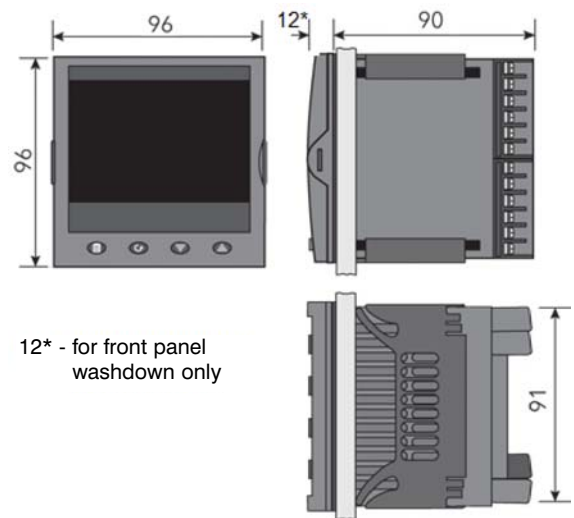


Zeparex 565 is a unique combination of a digital recorder and a two-loop PID controller. The recorder contains a 3.5" screen, 4 universal channels, internal 50 Mb memory and data transfer via a USB card or Ethernet transmission and subsequent data processing in Review software. Its main advantages include the combination of recording and controlling, easy operation and data processing including high-level security.

- Easily readable ¼VGA 3.5" colour screen
- Archiving: Ethernet and USB
- 4 universal input channels
- Very fast inputs reading at 125ms intervals
- 50 Mb internal flash memory for data storage
- 30 mathematical Channels (mathematical functions)
- Review (lite), iTools software as a standard
- Settings by means of 4 buttons or iTools
- PID controller (2 loops) – extension, programmer – extension
- 3 optional outputs, 2 logical outputs, 2 relay outputs which can be used for alarms
- Output versions: LRR, LRD, LLR, RDD, DDD (L – logical, R – relay, D – insulated DC analogue output)
- Communication Modbus TCP/IP Slave (Master – extension)
- Extension to up to 8 inputs – double inputs (mV, mA, T/C)
- Functions – Zirconia, Humidity, Steriliser – extension



Parameters

Number of inputs: 4 (up to 8 – extension)

Input types: mV, V, mA (necessary bypass), thermocouple, RTD (2/3-conductor), resistance, contact

Controller – inputs and outputs:

2 logical inputs
2 relay outputs
3 outputs – relay (standard), logical (extension)
or DC output (extension)

Archiving: Ethernet and USB

Communication: Modbus TCP/IP Slave (Master – extension), FTP

USB: 1 USB port (memory of up to 8GB) Panel opening: 92 x 92 mm

Dimensions: 96 x 96 x 90 mm

Screen: colour TFT LCD ¼VGA (320x240 points) 3.5"

Power supply: 100–230 Vac or 24Vdc

Functions: mathematical functions (30), counters, 4 user linearizations, Dynamic Host Configuration Protocol (DHCP), functions: Zirconia – Humidity – Steriliser (extension), 2 controller loops, programmer (extension)

Alarms:

2 independent alarms for each input
Optional appearance: vertical and horizontal recording, vertical and horizontal bar graphs, numeric values, controller loops.

Software: Review (lite), iTools

Settings: by means of 4 buttons or iTools software

Security: password protected settings

Protection: IP65

Operation temperature: 0–50 °C